

MAR-B-T8 Series



MARICI LED TUBE SERIES, BALLAST COMPATIBLE

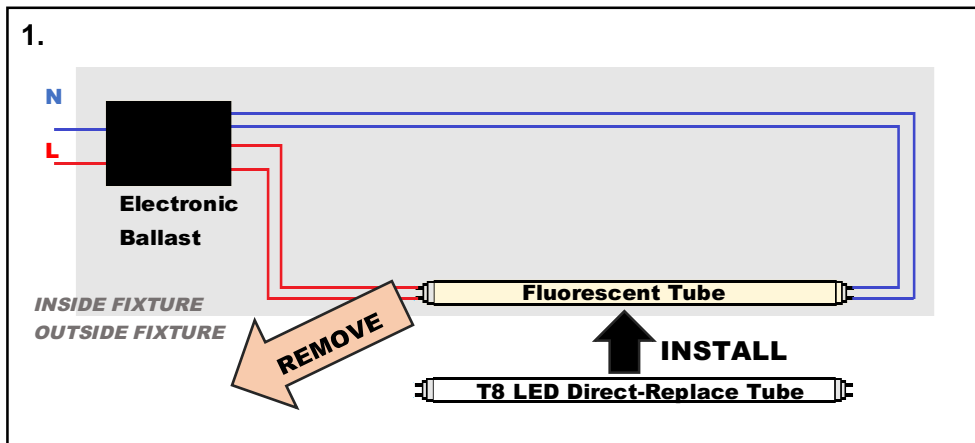
INSTALLATION

Type A Installation (Electronic Ballast Wiring, AC100-277V, 50/60Hz)

INSTRUCTIONS FOR FIXTURES USING ELECTRONIC BALLASTS ONLY. Turn OFF power before installing or making adjustments. No rewiring necessary with working ballast. Replacement for fluorescent tubes with T8 LED Direct-Replace Tubes. Correct electrical polarity needs to be observed.

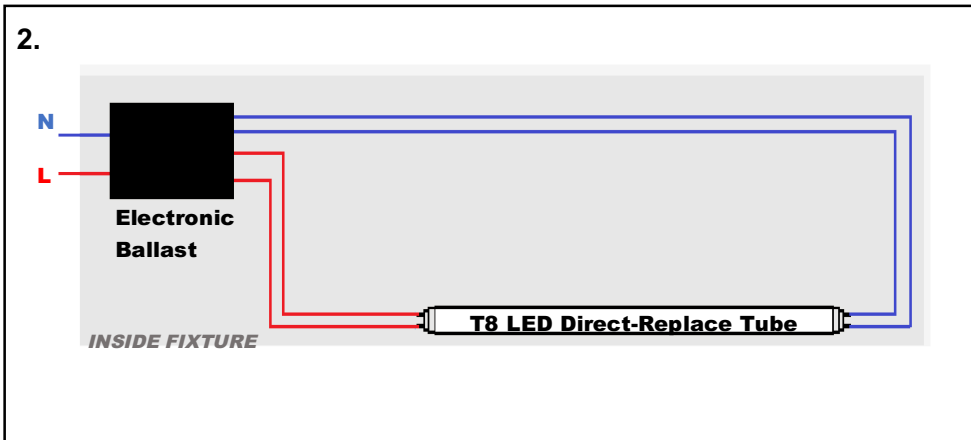


Turn off Mains



STEP 1:

Remove Fluorescent tube.



STEP 2:

Install T8 LED Direct-Replace Tube.



Turn on Mains



NOTES: Specifications and dimensions are subject to change without notice.
Visit us at www.lumigentech.com
Office Telephone: 1-800-371-4113

Last Revised: 9/12/15

MAR-B-T8 Series

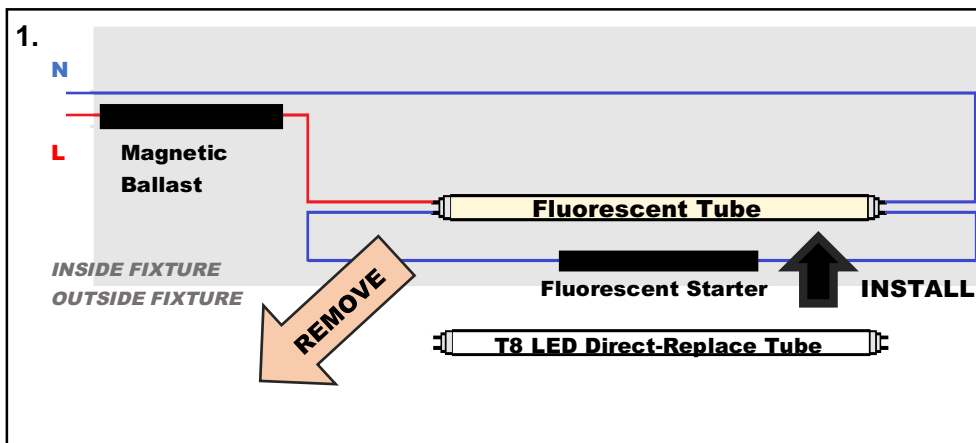


Type B Installation (Magnetic Ballast Wiring, AC100-277V, 50/60Hz)

INSTRUCTIONS FOR FIXTURES USING MAGNETIC BALLASTS ONLY. Turn OFF power before installing or making adjustments. No rewiring necessary with working ballast. Replacement for fluorescent tube with T8 LED Direct-Replace Tubes. Correct electrical polarity needs to be observed.

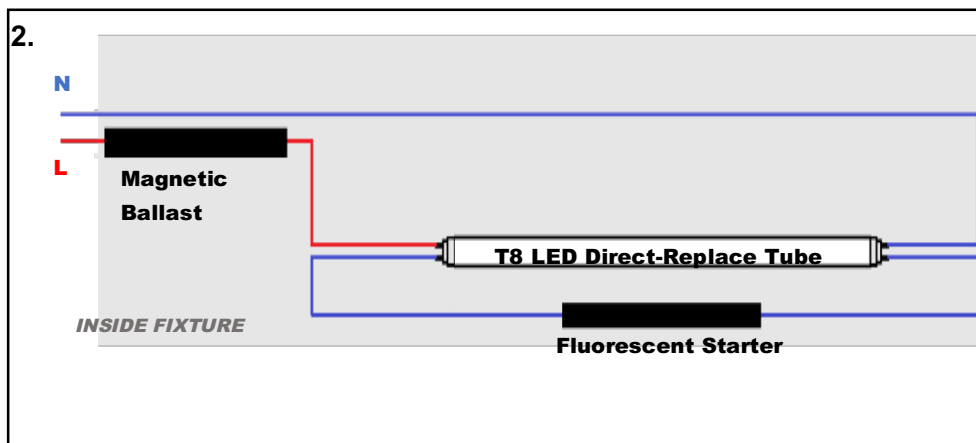


Turn off Mains



STEP 1:

Remove Fluorescent tube.



STEP 2:

Install T8 LED Direct-Replace Tube.



Turn on Mains



MAR-B-T8 Series



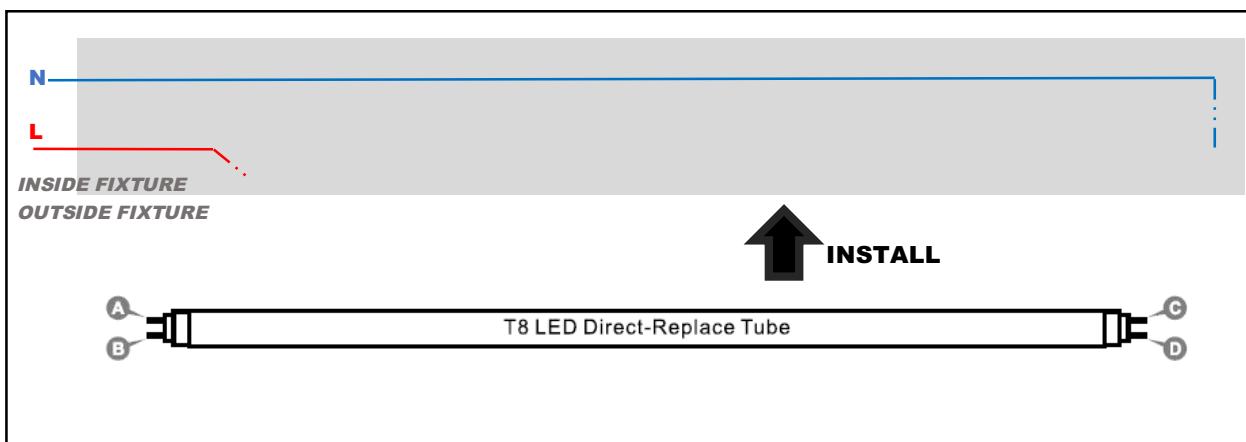
Type C Installation (AC Supply Wiring, AC100-240V, 50/60Hz)

INSTRUCTIONS FOR FIXTURES THAT BYPASSES BALLAST INTO AC SUPPLY LINE. Turn OFF power before installing or making adjustments. Rewiring is necessary if bypassing failed ballast. Replacement for fluorescent tube with T8 LED Direct-Replace Tubes. Correct electrical polarity needs to be observed.

NOTE: INPUT VOLTAGE IS FOR AC100-240V SUPPLY ONLY.



Turn off Mains



Step 1:

Whichever is applicable, *remove* fluorescent light tube or T8 LED Direct-Replace Tube from the fixture. *Remove* the failed ballast and/or fluorescent starter.

Step 2:

Reroute the N line such that, when the LED tube is installed, it will connect with **one** of the points (A, B, C, or D), as depicted in the above figure.

Reroute the L line (supply line) such that, when the LED tube is installed, it will connect with **one** of the remaining **unconnected** points (A, B, C, or D), as depicted in the above figure.

Step 3:

Install/reinstall the T8 LED Direct-Replace Tube.



Turn on Mains



MAR-B-T8 Series



The Solution for Effective LED Lighting

Visit us at
www.lumigentech.com

Or call us at 1.604.371.4112

Specifications and dimensions are subject to change without notice.



NOTES: Specifications and dimensions are subject to change without notice.
Visit us at www.lumigentech.com
Office Telephone: 1.604.371.4112

Last Revised: 9/12/15