

Installation Overview

Column/pole for supporting the luminaire not provided. Please verify local installation codes with your contractor.

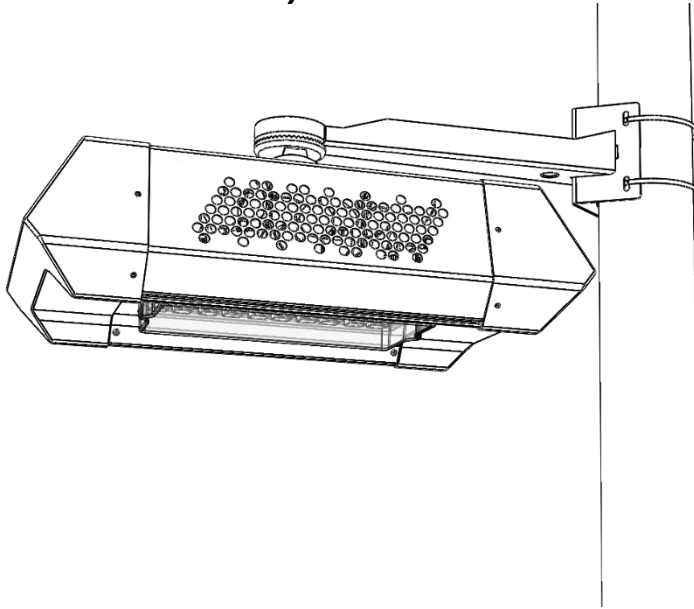
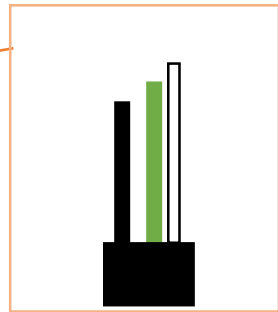
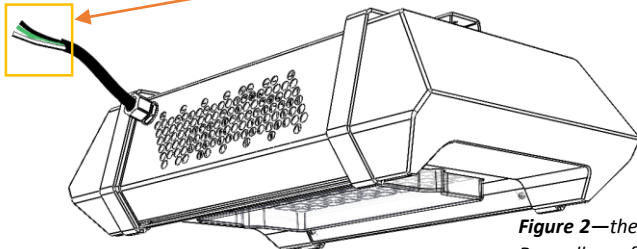


Figure 1—luminaire will be attached to the supporting column as such. Please check that the joints between the column mount and the luminaire are stiff or unmoving before mounting the luminaire onto the column.

Electrical Installation

Please verify electrical codes with your electrical contractor.



White: Negative
Black: Live
Green: Ground



Figure 2—the depiction above is an arbitrary model of the SLD-PK Series luminaire. Regardless of luminaire mounting type, the color coding of the wire will follow this color scheme. **Input voltage source: AC100-480V.**

SLD-AL Series



The Solution for Effective LED Lighting

Visit us at
www.lumigentech.com

Or call us at 1.604.371.4112

Specifications and dimensions are subject to change without notice.



NOTES: Specifications and dimensions are subject to change without notice.
Visit us at www.lumigentech.com
Office Telephone: 1.604.371.4112

Last Revised: 7/30/2015