

MAR-B-T8 Series



MARICI LED TUBE SERIES, *BALLAST COMPATIBLE*



Fluorescent lighting has long been a staple of lighting in many indoor applications such as classrooms, offices, warehouses, and many other environments. With the development of new technology, LED tubes have become an ideal replacement for this older style of lighting. LED technology can deliver much higher efficiency, and greater light output at a variety of color temperatures. Our LED tubes will not only save a great deal of energy and prevent the need for maintenance, but will, in addition, increase the footcandles in your workplace.

LED tubes do not require a new fixture. They can be installed directly into existing fixtures. The **MAR-B-T8 SERIES LED TUBES** provide the best solution for replacing fluorescent tubes as they will work with or without a ballast.



www.lumigentech.com



NOTES: Specifications and dimensions are subject to change without notice.

Visit us at www.lumigentech.com
Office Telephone: 1.604.371.4112

Last Revised: 6/28/2016

MAR-B-T8 Series



Specifications

Model	MAR-B-T8-0009	MAR-B-T8-0018	MAR-B-T8-0022
Lumen Output (w/ Clear PC Cover)	987 lm	1,960 lm	2,393 lm
Lumen Output (w/ Milky PC Cover)	921 lm	1805 lm	2224 lm
Wattage	9 W	18 W	22 W
Voltage ¹	AC100-277V	AC100-277V	AC100-277V
Available Color Temp.	3000-6000 K	3000-6000 K	3000-6000 K
Dimensions	589mm [23.2"]	1198mm [47.17"]	1498mm [58.98"]
L70	≥50,000 hour	≥50,000 hour	≥50,000 hour
Ballast Compatible?	YES	YES	YES
Warranty	3 YEARS	3 YEARS	3 YEARS

¹Ballast voltage inputs. For connection directly into AC supply, only AC input voltage ranges from **100-240 volts** are accepted.

Dimensions



All Tubes are T8 Tubes. Tube diameters are approximately 26mm.

Other

- Installation must be performed by a licensed electrician.
- Please use it under the correct input voltage ranges, which is described in more detail in the **Installation** subsection.
- Tubes are non-dimmable.
- For INDOOR APPLICATION ONLY. Do not use outdoor or where it may be exposed to rain.
- If product is acting unusual (intermittent flashing, etc.), please power OFF. Then, check the connections and the wiring. If failure occurs, LED tubes must be replaced.



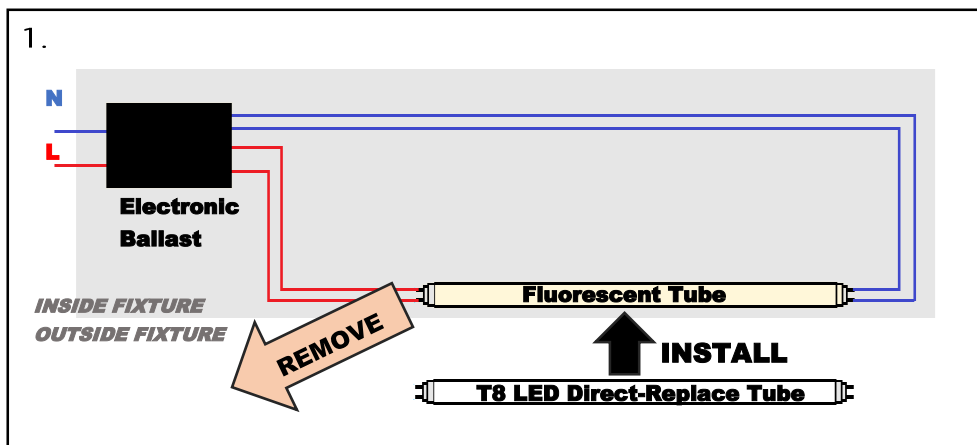
Installation

Type A Installation (Electronic Ballast Wiring, AC100-277V, 50/60Hz)

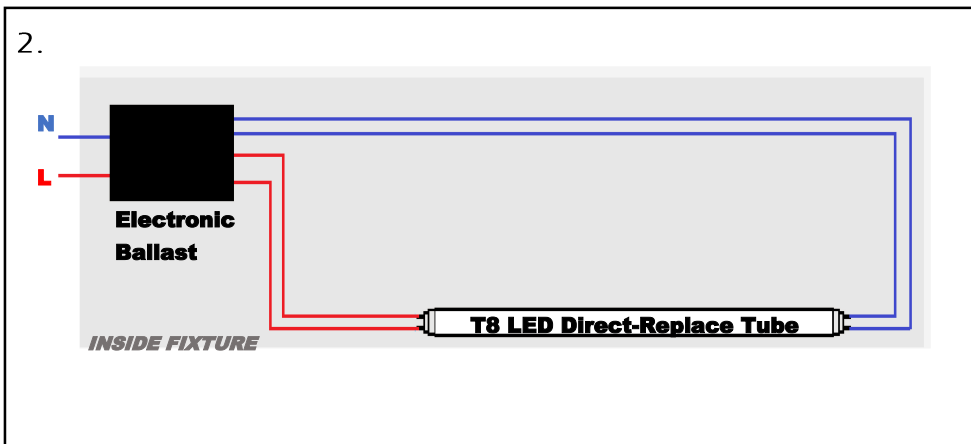
INSTRUCTIONS FOR FIXTURES USING ELECTRONIC BALLASTS ONLY. Turn OFF power before installing or making adjustments. No rewiring necessary with working ballast. Replacement for fluorescent tubes with T8 LED Direct-Replace Tubes. Correct electrical polarity needs to be observed.



Turn off Mains



STEP 1:
Remove Fluorescent tube.



STEP 2:
Install T8 LED Direct-Replace Tube.



Turn on Mains

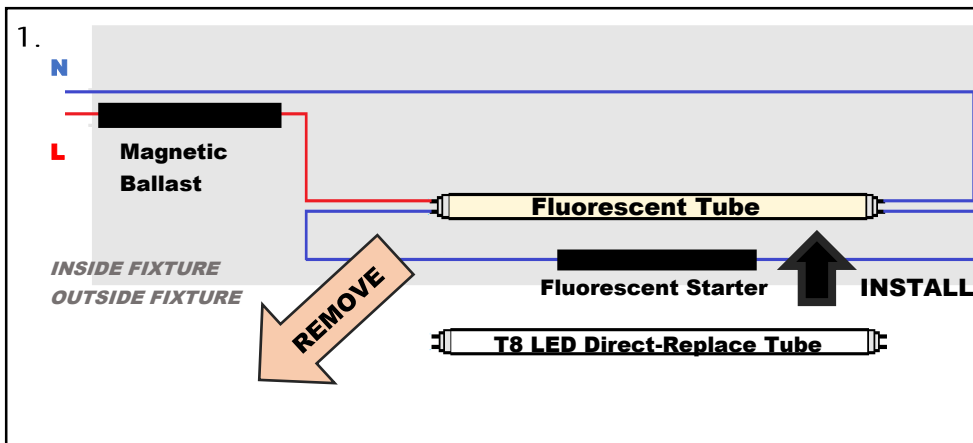


Type B Installation (Magnetic Ballast Wiring, AC100-277V, 50/60Hz)

INSTRUCTIONS FOR FIXTURES USING MAGNETIC BALLASTS ONLY. Turn OFF power before installing or making adjustments. No rewiring necessary with working ballast. Replacement for fluorescent tube with T8 LED Direct-Replace Tubes. Correct electrical polarity needs to be observed.

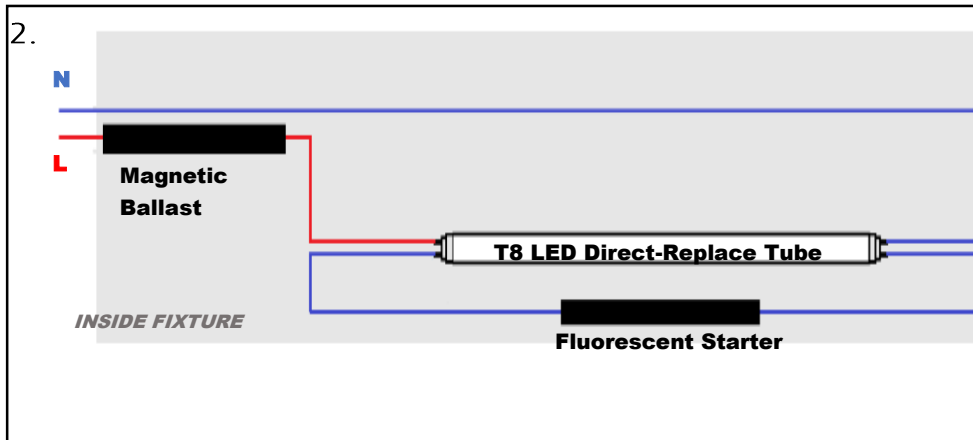


Turn off Mains



STEP 1:

Remove Fluorescent tube.



STEP 2:

Install T8 LED Direct-Replace Tube.



Turn on Mains



MAR-B-T8 Series



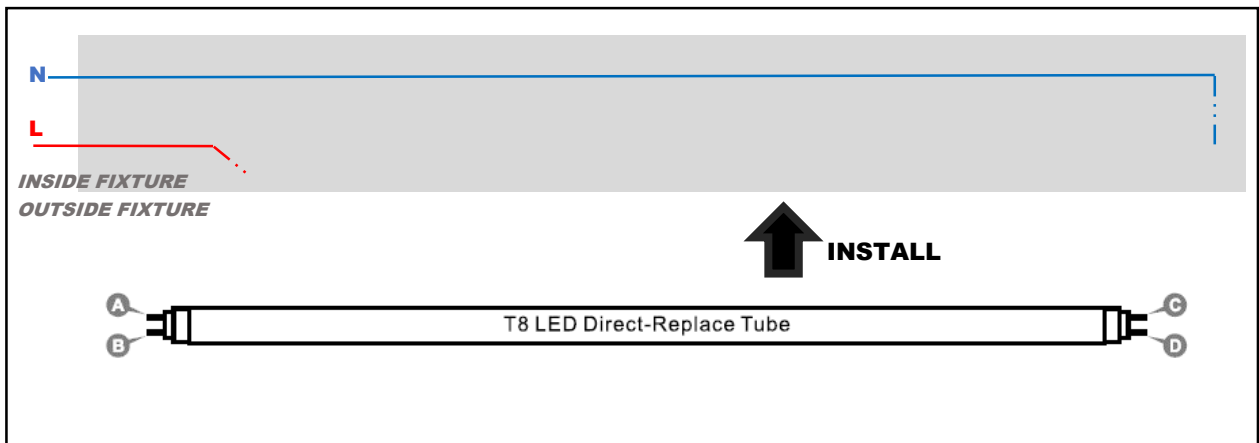
Type C Installation (AC Supply Wiring, AC100-240V, 50/60Hz)

INSTRUCTIONS FOR FIXTURES THAT BYPASSES BALLAST INTO AC SUPPLY LINE. Turn OFF power before installing or making adjustments. Rewiring is necessary if bypassing failed ballast. Replacement for fluorescent tube with T8 LED Direct-Replace Tubes. Correct electrical polarity needs to be observed.

NOTE: INPUT VOLTAGE IS FOR AC100-240V SUPPLY ONLY.



Turn off Mains



Step 1:

Whichever is applicable, *remove* fluorescent light tube or T8 LED Direct-Replace Tube from the fixture. Remove the failed ballast and/or fluorescent starter.

Step 2:

Reroute the N line such that, when the LED tube is installed, it will connect with **one** of the points (A, B, C, or D), as depicted in the above figure.

Reroute the L line (supply line) such that, when the LED tube is installed, it will connect with **one** of the remaining **unconnected** points (A, B, C, or D), as depicted in the above figure.

Step 3:

Install/reinstall the T8 LED Direct-Replace Tube.



Turn on Mains



www.lumigentech.com

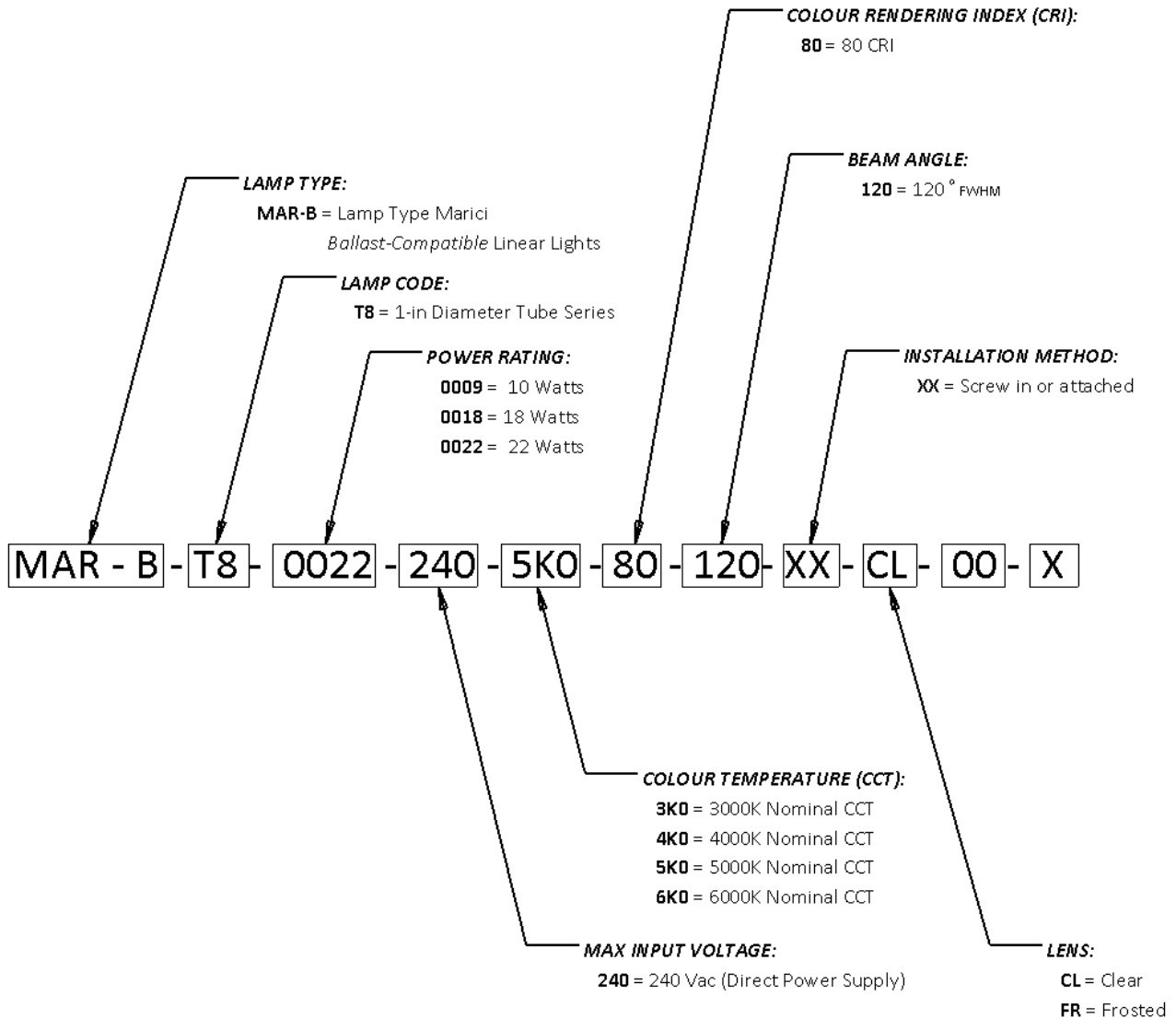
NOTES: Specifications and dimensions are subject to change without notice.
Visit us at www.lumigentech.com
Office Telephone: 1.604.371.4112

Last Revised: 6/28/2016

MAR-B-T8 Series



Ordering Code



Ordering Code Table

LAMP TYPE	LAMP CODE	POWER RATING	MAX INPUT VOLTAGE	CCT	CRI	BEAM ANGLE	INSTALL METHOD	LENS	[NULL]	[NULL]
MAR-B	T8	0009 0018 0022	240	3K0 4K0 5K0 6K0	80	120	XX	CL FR	00	X



MAR-B-T8 Series



The Solution for Effective LED Lighting

Visit us at
www.lumigentech.com

Or call us at 1.604.371.4112

*Specifications and dimensions are subject to change
without notice.*



www.lumigentech.com

NOTES: Specifications and dimensions are subject to change without notice.
Visit us at www.lumigentech.com
Office Telephone: 1.604.371.4112

Last Revised: 6/28/2016