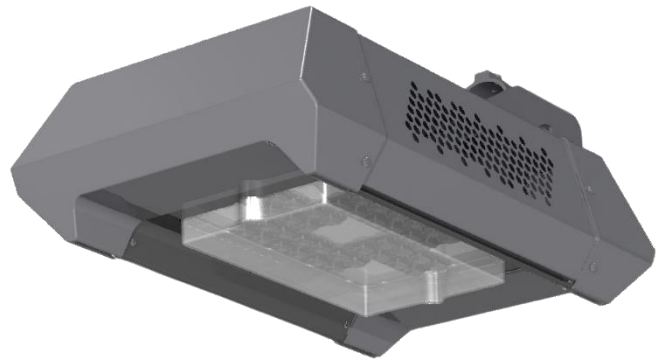


LED STREETWAY/ROADWAY LIGHTING SERIES

Lumingen Technologies PK Series are the low cost, high performance luminaires that will replace traditional fixtures in parking lots, lighting of walkways, and a variety of pole lighting applications.

Featuring an IP67 rating and a lensing material with great optical efficiency and durability, this luminaire is not only ideal for those walkway, car lots, and street way applications, but is designed with the capability to perform in heavy industrial settings and many commercial applications. The range of which includes *recreational/fitness centers, convention centers, warehouses, and even food preparation facilities.*

The *PK Series* is a remarkably light-weight luminaire, yet it carries the potential to output a variety of light levels. This versatility makes the *PK Series* luminaire the one of the best possible solution for any new construction projects or lighting retrofits in any application of lighting.



SLD-PK Series



Specifications

| Model | SLD-PK-0030 | SLD-PK-0070 | SLD-PK-0160 | SLD-PK-0240 | SLD-PK-0300 |
|------------------------|--|--|--|--|--|
| Delivered Lumens | 3,938 lm | 8,467 lm | 15,060 lm | 21,215 lm | 31,090 lm |
| Wattage | 32.6 W | 62.7 W | 116 W | 183 W | 268 W |
| Delivered Efficacy | 121 lm/W | 135 lm/W | 130 lm/W | 116 lm/W | 116 lm/W |
| Voltage | AC100-480V | AC100-480V | AC100-480V | AC100-480V | AC100-480V |
| Available Color Temp. | 2700-6500K | 2700-6500K | 2700-6500 K | 2700-6500 K | 2700-6500 K |
| L70 | 137,000 hours | 162,000 hours | 162,000 hours | 162,000 hours | 162,000 hours |
| CRI | >70 | >70 | >70 | >70 | >70 |
| Optional CRI | >80, >90 | >80, >90 | >80, >90 | >80, >90 | >80, >90 |
| Beam Angle* | 10°, 25°, 60°, 120°, 131°, TYPE II, TYPE III | 10°, 25°, 60°, 120°, 131°, TYPE II, TYPE III | 10°, 25°, 60°, 120°, 131°, TYPE II, TYPE III | 10°, 25°, 60°, 120°, 131°, TYPE II, TYPE III | 10°, 25°, 60°, 120°, 131°, TYPE II, TYPE III |
| Weight** | 8.86 kg [19.5 lb.] | 8.86 kg [19.5 lb.] | 9.26 kg [20.4 lb.] | 9.43 kg [20.8 lb.] | 9.43 kg [20.8 lb.] |
| Operating Temperature | -40° to 55°C | -40° to 55°C | -40° to 55C | -40° to 55C | -40° to 55C |
| Dimensions | 549×335×151mm [22"×13"×6"] | 549×335×151mm [22"×13"×6"] | 549×335×151mm [22"×13"×6"] | 549×335×151mm [22"×13"×6"] | 549×335×151mm [22"×13"×6"] |
| Dimming | 0-10V OPTIONAL | 0-10V OPTIONAL | 0-10V OPTIONAL | 0-10V OPTIONAL | 0-10V OPTIONAL |
| Warranty | 5 YEARS | 5 YEARS | 5 YEARS | 5 YEARS | 5 YEARS |
| Additional Features*** | DIMMING FUNCTIONALITY, MOTION SENSORS, SURGE PROTECTION, PHOTOCELL | | | | |
| Installation | POLE MOUNT/SHOE BOX MOUNT | | | | |

*Glare-reduction only for beam angles of 131°, Type II, Type III

**Fixture weights specified are displayed for the standard configuration for the model. Weight fluctuation will be dependent on desired configuration.

***Other features, not listed, can be added per customer request.

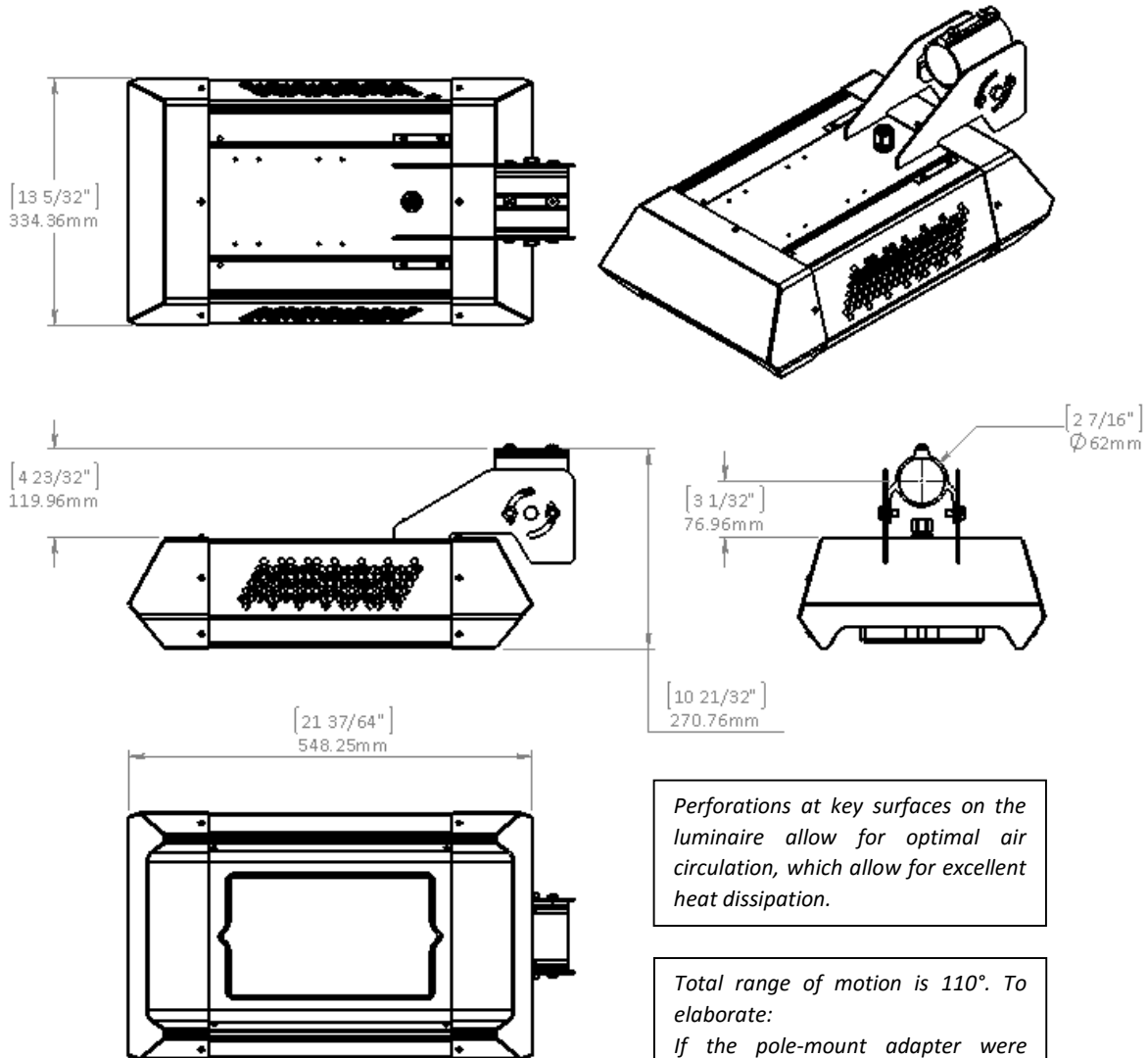


SLD-PK Series



POLE MOUNT CONFIGURATION

Dimensions



Perforations at key surfaces on the luminaire allow for optimal air circulation, which allow for excellent heat dissipation.

*Total range of motion is 110°. To elaborate:
If the pole-mount adapter were oriented as it is in Figure 5 with the pole axis horizontal and pointing leftward, the range of motion of **the pole-mount adapter with respect to the luminaire** would be 20° down and 90° up. All adjustments are limited to this range.*



Installation Overview

Please verify local installation codes with your contractor.



Figure 1

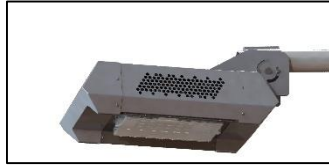


Figure 2

Figure 1-5—luminaire may be attached to the supporting column as such. Please check that the joints between the pole-mount adapter and the luminaire are stiff or unmoving before mounting the luminaire onto the column.

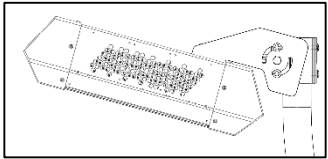


Figure 3

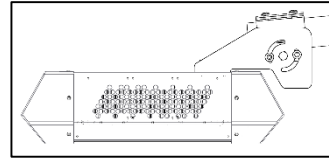


Figure 4

Total range of motion is 110°. To elaborate:

If the pole-mount adapter were oriented as it is in Figure 5 with the pole axis horizontal and pointing leftward, the range of motion of the pole-mount adapter with respect to the luminaire would be 20° down and 90° up. All adjustments are limited to this range.

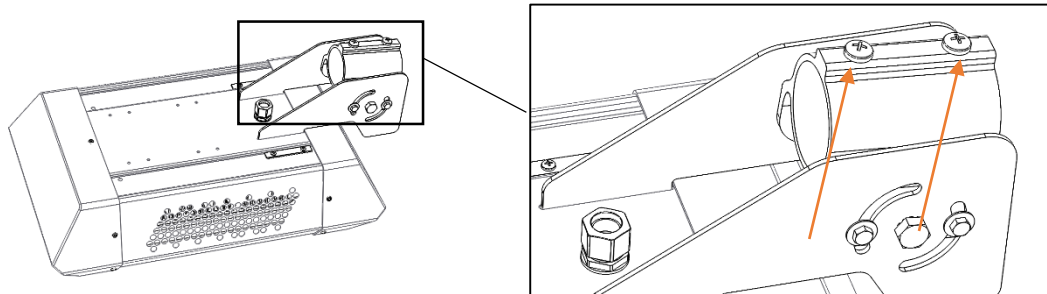
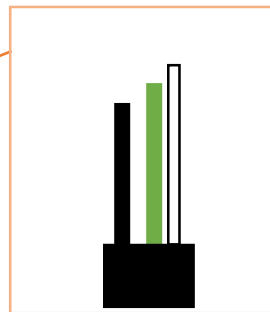
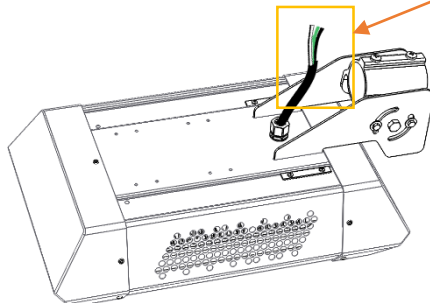


Figure 5—two M8-1.25 holes are used to secure the pole-mount adapter to the pole.

Electrical Installation

Please verify electrical codes with your electrical contractor.



White: Negative

Black: Live

Green: Ground



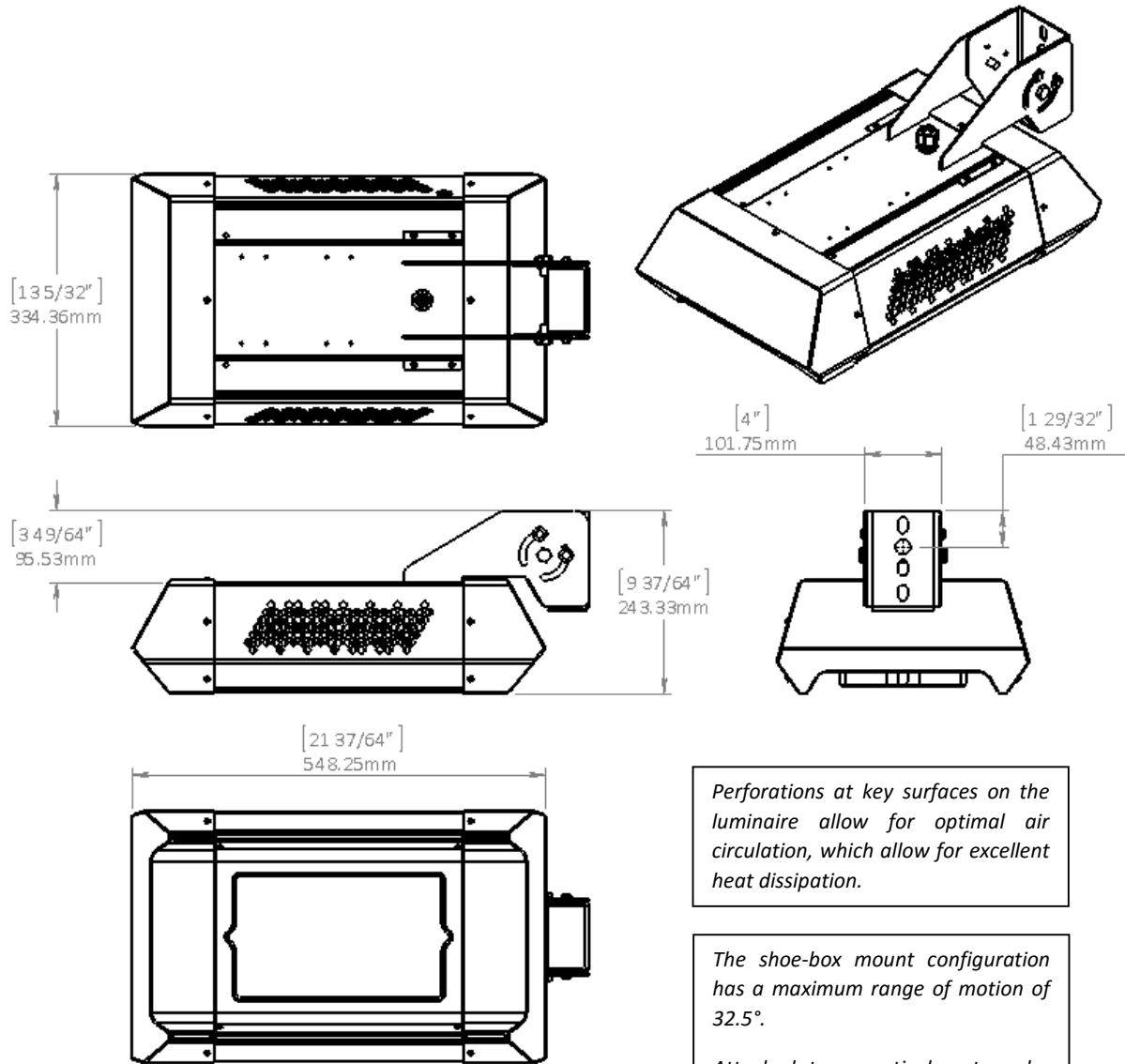
Figure 6—the depiction above is the pole-mounted model of the SLD-PK Series luminaire. Regardless of luminaire mounting type, the color coding of the wire will follow this color scheme. **Input voltage source: AC100-480V.**

SLD-PK Series



SHOE-BOX MOUNT CONFIGURATION

Dimensions



Perforations at key surfaces on the luminaire allow for optimal air circulation, which allow for excellent heat dissipation.

The shoe-box mount configuration has a maximum range of motion of 32.5°.

Attached to a vertical rectangular pole, the luminaire can be tilted from 12.5° downward to 20° upward. All adjustments are limited to this range.



Installation Overview

Please verify local installation codes with your contractor.

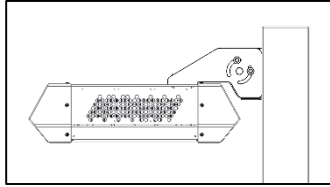


Figure 8—horizontal neutral position of the luminaire

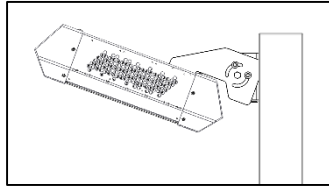


Figure 7—tilted to an upward maximum of approx. 20°.

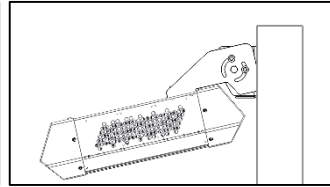


Figure 9—tilted to a downward maximum of approx. 12.5°.

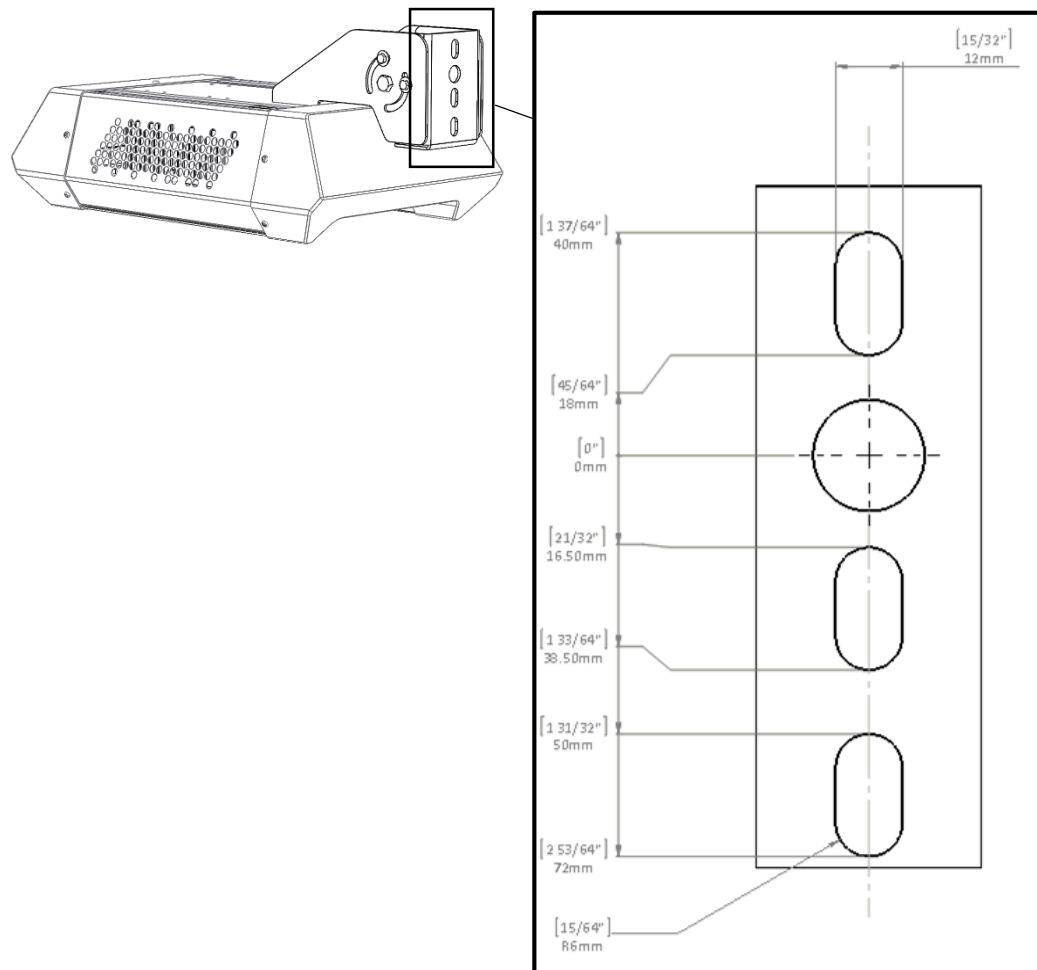
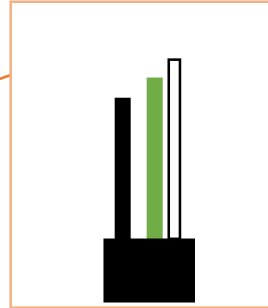
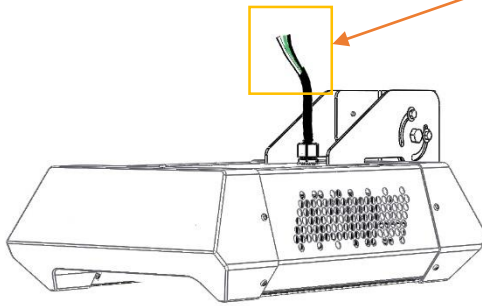


Figure 10—shoe box mounting plate basic dimensions. This is the footprint to use when mounting in for this mounting format.

Electrical Installation

Please verify electrical codes with your electrical contractor.



White: Negative

Black: Live

Green: Ground



Figure 11—the depiction above is a shoebox-mounted model of the SLD-PK Series luminaire. Regardless of luminaire mounting type, the color coding of the wire will follow this color scheme. **Input voltage source: AC100-480V.**

SLD-PK Series



The Solution for Effective LED Lighting

Visit us at
www.lumingen.com

Or call us at 1.604.371.4112

Specifications and dimensions are subject to change without notice.



www.lumingen.com

NOTES: Specifications and dimensions are subject to change without notice.
Visit us at www.lumingen.com
Office Telephone: 1.604.371.4112

Last Revised: 12/23/2015