

## LED AREA/FLOOD LIGHT SERIES

**Lumingen Technologies SLD-PK-XXXX LED Luminaire Series** are high performance LED luminaires that can be the solution for lighting applications such as parking structures, loading bays, walkways, and streetways. This LED fixture series can also extend to all commercial and industrial settings, which includes *recreational/fitness centers, convention centers, warehouses, and even food processing facilities.*

Featuring an ingress protection rating of **IP67** and lensing with great optical efficiency and durability, this fixture can survive and operate in heavy rain storms, against high pressure water sprays, or within incredibly dusty environments like that of bakeries or production plants.

This fixture can be equipped with lensing of beam angles ranging from 10° to 131°, utilize beam types that fall within Type II and Type III categories, or be customized with a variety of lenses for an altogether unique light pattern. Thus, whether the lighting design is an interior application, exterior application, a new construction project, or lighting retrofit; Lumingen's **SLD-PK-XXXX LED Luminaire Series** will always deliver a well-tailored lighting solution that fits your specific lighting needs and desires.



Figure 1



Figure 2

FEATURE
<b>Optical diversification</b> – luminaire optics tailored to the application
<b>Long Lifespan</b> —DLC-rated L70 of 162,000 hours
<b>Performance stability</b> over luminaire's entire lifetime
<b>High delivered lumens per watt for exceptional energy savings</b> —up to DLC-rated 135 lumens/watt delivered light!
<b>IP67 Rating</b> —operational in extremely wet and/or dusty locations
<b>Light weight design</b> —easy installation and handling at less than 9.1 kg (20 lb.) per fixture



# SLD-PK Series



## EXTERIOR

- Corrosion-Resistant Powder-coat finished metal housing
- UL94-V0 Plastic Components
  - High durability
- UL94-V0 Lensing Components
  - High durability and shatter resistant
  - Plastic quality and optical characteristics unchanging during the luminaire's life rating
  - Crucial for IP67 rating

*UL94-V0 rated plastic is a type of flame resistant plastic—V0 being the strictest rating under the UL94 standard for safety from flammability.*

## EXTRA FEATURES

Functional additions can be implemented on this series of lights:

- Motion Tracking
- Photocell compatible
- 0/1-10 V-dc dimming compatible



Figure 6

## OPTICAL DIVERSIFICATION

Manipulation of LED positioning, drive current, and appropriate optics allow for the desired characteristics for a lighting layout design of a project.

- High optical efficiency
- Precise light patterns on target surfaces
- Diverse lensing options (10°-131°, Type II, & Type III)
  - Great cut-off characteristics for narrow angle lenses
  - Glare reduction for smoother output for wide angle lensing



Figure 3

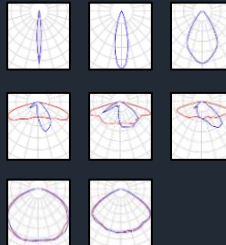


Figure 4

## LED CIRCUIT DESIGN

- High-quality power supply
  - Constant-current for performance stability
  - High efficiency and power factor
- LED-Heatsink co-dependent design
  - Proper illumination pattern
  - Excellent heat dissipation performance, i.e. low junction temperature
- Carefully selected LED configuration for best performance in conjunction with optimal drive current for LED. Results in far better reliability:
  - Far less risk of LED failure
  - Color temperature stability
  - Long L70 lumen maintenance rating
  - Longer overall lifespan

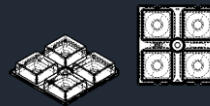


Figure 5

For the absolute highest quality in components, ceramic-based LEDs are used. For LED quality assurance and reliability on a component-level basis, this luminaire only uses **CREE LED**—the best and most trusted in quality and performance.

## INSTALLATION FLEXIBILITY

This luminaire has incredible flexibility when it comes to installation. With a few additional components, configurations can be tailored for different installation types:

- ceiling
- surface/wall
- round pole
- square pole
- suspension

## INGRESS PROTECTION

### – IP67 Rating

The luminaire was designed to the specification of **IP67**. This rating is designated for designs that allow **no dust or water to enter** into sensitive components. IP67 is specific for devices that can operate in an environment with heavy particulate and can also remain operable while submerged in 1-m of water for a duration of time. This gives the fixture incredible performance in wet environments.

The LEDs and other electrical components are properly isolated for continual operation in many types of environments.

## THERMAL DESIGN

Designing the heatsink to match the heat signatures of the LEDs in each of their configurations allows for low junction temperatures at the base of the LED chips. A properly designed heatsink and proper air flow maximizes life span of the LEDs, some reaching spans as long as 162,000 hours.

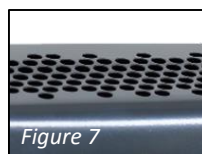


Figure 7



# SLD-PK Series



## Specifications

Model	<u>SLD-PK-0030</u>	<u>SLD-PK-0070</u>	<u>SLD-PK-0100</u>	<u>SLD-PK-0160</u>	<u>SLD-PK-0240</u>	<u>SLD-PK-0300</u>
Delivered Lumens	3,938 lm	8,467 lm	11,350 lm	15,060 lm	21,215 lm	31,090 lm
Wattage	32.6 W	62.7 W	97 W	116 W	183.5 W	268 W
Delivered Efficacy	121 lm/W	135 lm/W	117 lm/W	130 lm/W	116 lm/W	116 lm/W
Input Voltage	AC100-480V	AC100-480V	AC100-480V	AC100-480V	AC100-480V	AC100-480V
Available CCT	2700-6500K	2700-6500K	2700-6500K	2700-6500 K	2700-6500 K	2700-6500 K
L70	137,000 hours	162,000 hours	162,000 hours	162,000 hours	162,000 hours	162,000 hours
CRI	>70	>70	>70	>70	>70	>70
Optional	>80, >90	>80, >90	>80, >90	>80, >90	>80, >90	>80, >90
Beam Angle <sup>1</sup>	10°, 25°, 66°, 120°, 131°, TYPE II, TYPE III	10°, 25°, 66°, 120°, 131°, TYPE II, TYPE III	10°, 25°, 66°, 120°, 131°, TYPE II, TYPE III	10°, 25°, 66°, 120°, 131°, TYPE II, TYPE III	10°, 25°, 66°, 120°, 131°, TYPE II, TYPE III	10°, 25°, 66°, 120°, 131°, TYPE II, TYPE III
Ingress Protection	IP67 Rated	IP67 Rated	IP67 Rated	IP67 Rated	IP67 Rated	IP67 Rated
Weight <sup>2</sup>	7.24 kg [16.0 lb.]	7.30 kg [16.1 lb.]	7.62 kg [16.8 lb.]	7.62 kg [16.8 lb.]	7.73 kg [17.1 lb.]	8.53 kg [18.8 lb.]
Operating Temp.	-40° to 55°C	-40° to 55°C	-40° to 55°C	-40° to 55C	-40° to 55°C	-40° to 55°C
Dimensions	549×335×151mm [22" ×13" ×6"]	549×335×151mm [22" ×13" ×6"]	549×335×151mm [22" ×13" ×6"]	549×335×151mm [22" ×13" ×6"]	549×335×151mm [22" ×13" ×6"]	549×335×151mm [22" ×13" ×6"]
Dimming	0/1-10Vdc Optional	0/1-10Vdc Optional	0/1-10Vdc Optional	0/1-10Vdc Optional	0/1-10Vdc Optional	0/1-10Vdc Optional
Warranty	5 Years	5 Years	5 Years	5 Years	5 Years	5 Years
Functional Features <sup>3</sup>	Dimming, Motion Sensing, Photocell Function, Surge Protection					
Additional Features <sup>3</sup>	Housing Color Option					
Installation	Wall/Surface (Ceiling)/Suspension Mounting					

<sup>1</sup>Glare-reduction only for beam angles of 131° and Type II-III lensing.

<sup>2</sup>Fixture weights specified are displayed for the standard configuration for the model. Weight fluctuation will be dependent on desired configuration

<sup>3</sup>Other features, not listed, may be added per customer request.



## WALL/SURFACE-MOUNTED CONFIGURATION

### Dimensions

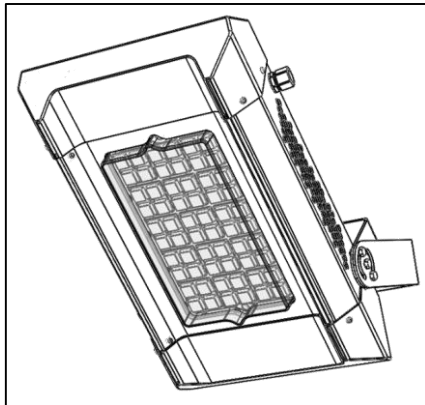


Figure 8—wall mounted configuration

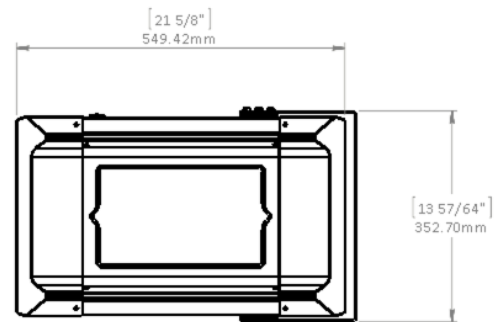
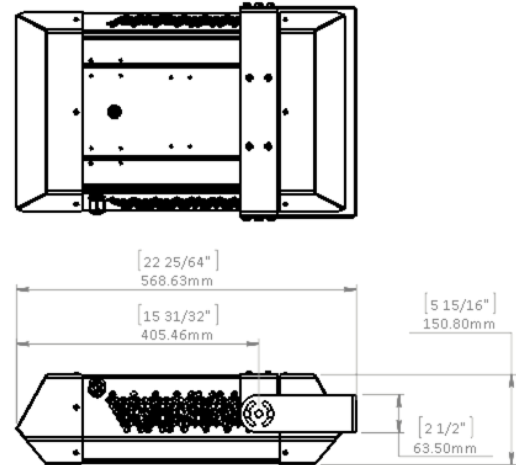
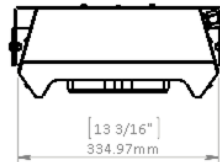


Figure 9

*This wall mounting configuration allows for two degrees of freedom. Light direction is constrained in any downward angular position.*

*The light may be tilted for a maximum range of 120° (60° upward and 60° downward, with respect to the wall mount).*

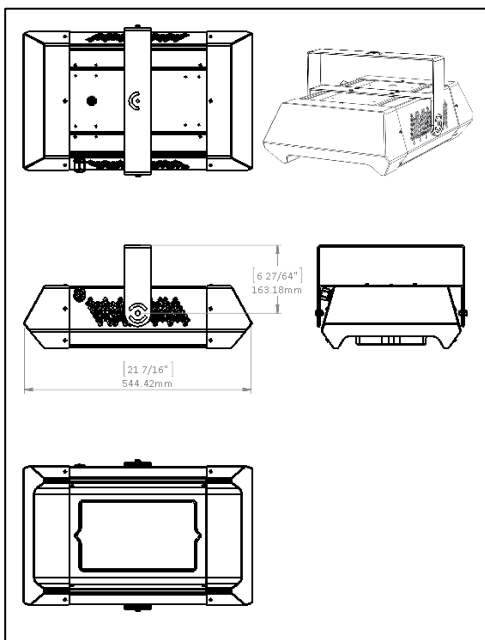
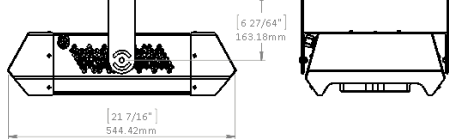


Figure 10—alternate surface/ceiling mounted configuration



# SLD-PK Series



## Installation Overview

*Please verify local installation codes with your contractor.*

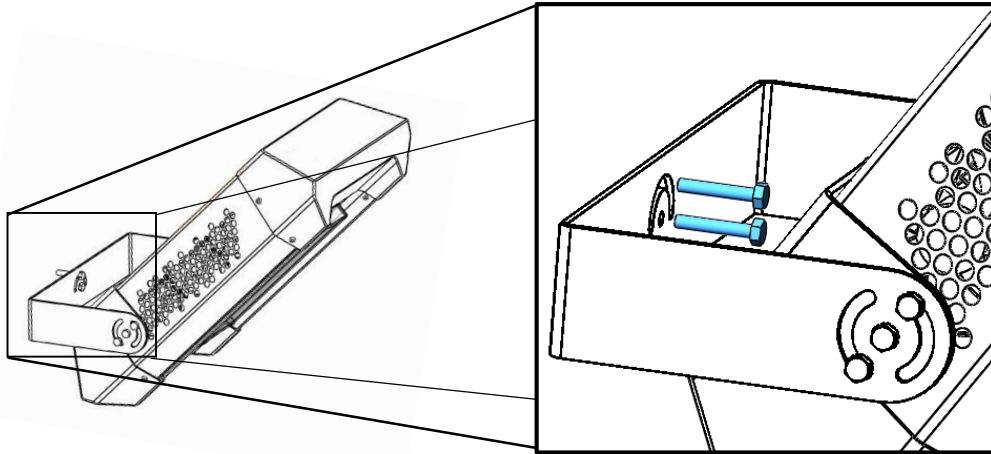


Figure 11— the washer and bolt locations for mounting the SLD-PK luminaire to a wall or other flat surfaces. Washers and Bolts are not provided.



Figure 12—bracket adjustability



Before adjusting the angular orientation of the fixture, the fixture must be properly supported. This is to prevent unwanted movement as the fixture will be in an **unsecured state** while the screws constraining the fixture and the bracket are loosened for adjustments. To adjust the angular positioning of the bracket, loosen both screws on each side of the bracket, adjust the fixture, and retighten the screws to return the fixture to a secured state.

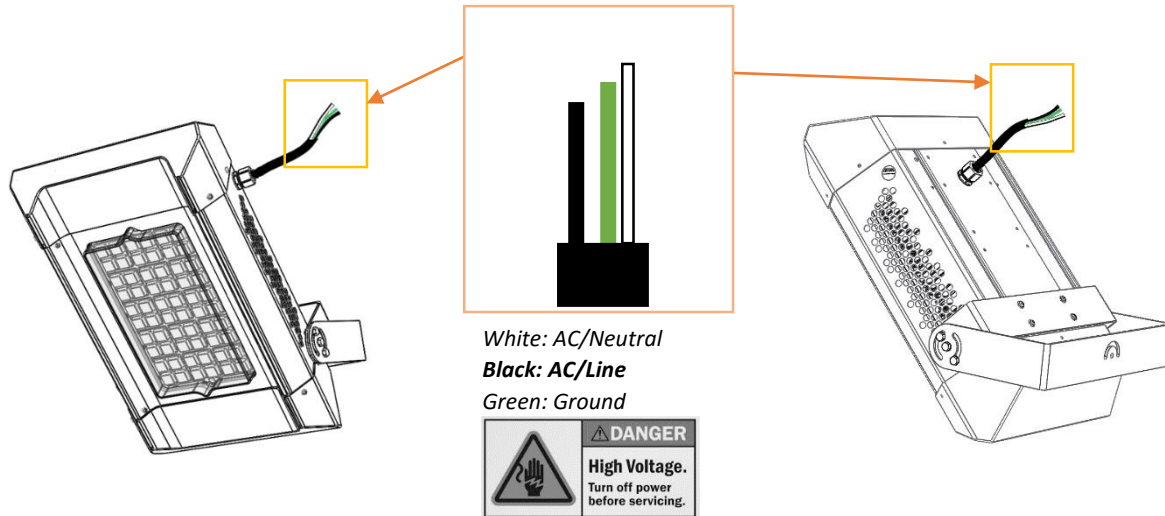


# SLD-PK Series



## Electrical Installation

*Please verify electrical codes with your electrical contractor.*



*Figure 13— the depictions above are wall-mounted models of the SLD-PK Series luminaire with different exit cable locations. Regardless of luminaire mounting type, the color coding of the wire will follow this color scheme. Input voltage source: AC100-480V*



# SLD-PK Series



## SUSPENSION CONFIGURATION

### Dimensions

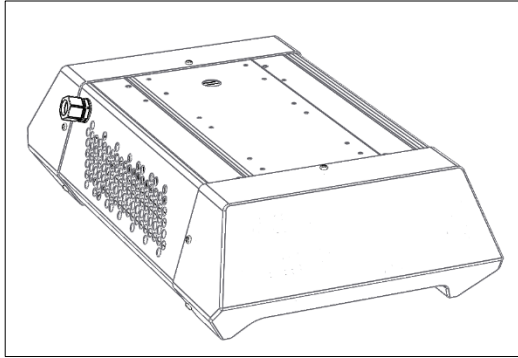


Figure 14

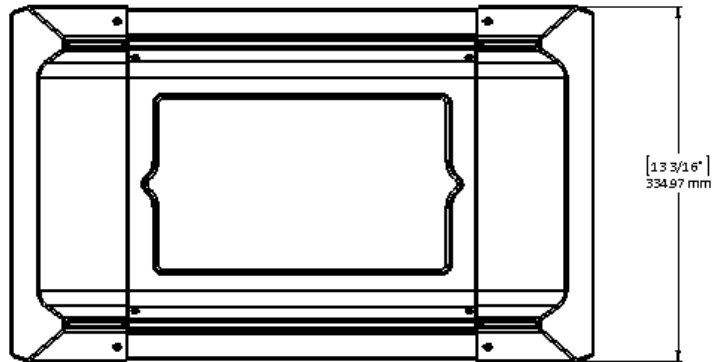
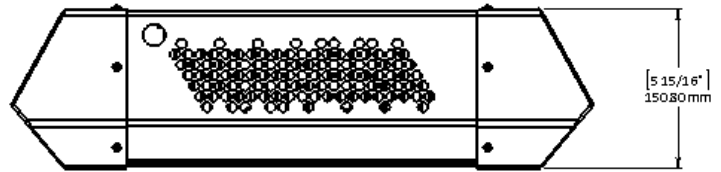
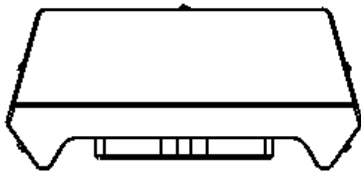
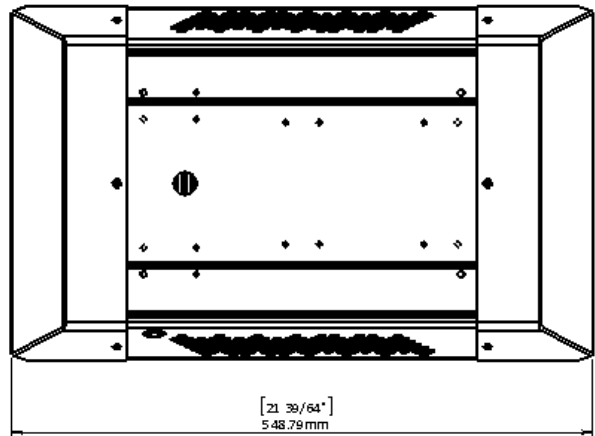


Figure 15



# SLD-PK Series



## Installation Overview

**Please verify local installation codes with your contractor.**

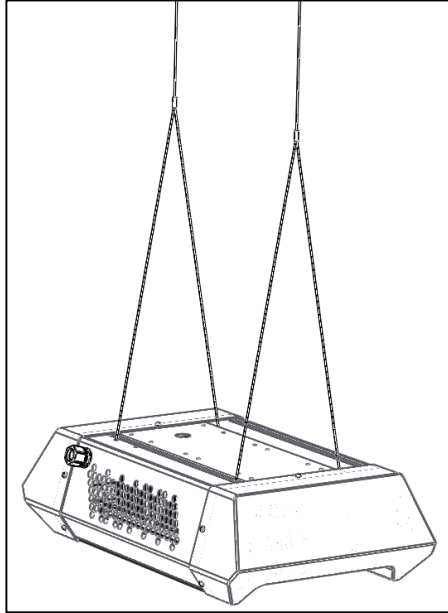
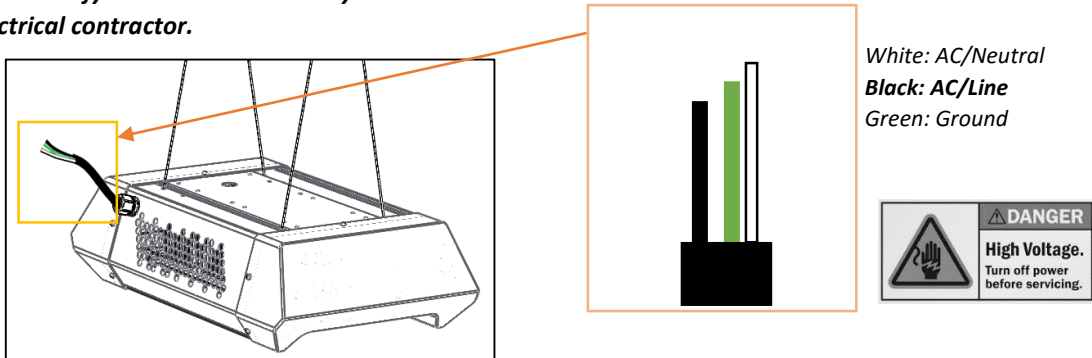


Figure 16—luminaire will be supported by a pair of **suspension cables**. Cable pairs are located 300 mm. Each individual cable is located a minimum of 171 mm apart from each other.

## Electrical Installation

**Please verify electrical codes with your electrical contractor.**



White: AC/Neutral  
Black: AC/Line  
Green: Ground



Figure 17—the depiction above is a suspension-mounted model of the SLD-PK Series luminaire. Regardless of luminaire mounting type, the color coding of the wire will follow this color scheme. **Input voltage source: AC100-480V.**



# SLD-PK Series



## Dimming [0-10V]

### Wiring Schematic

Dimming Input (from 18 AWG 2/C cable)

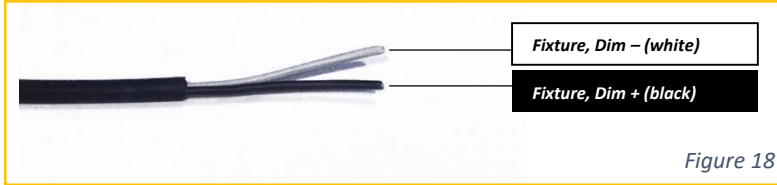


Figure 18

Power Input (from 14 AWG 3/C cable)

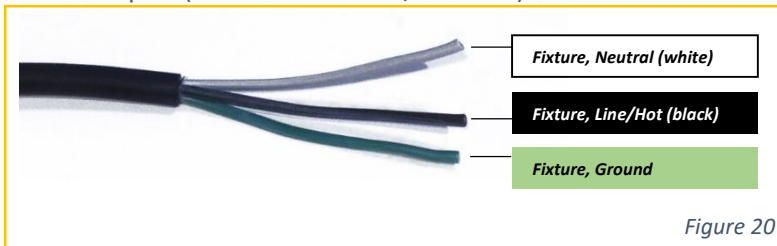


Figure 20

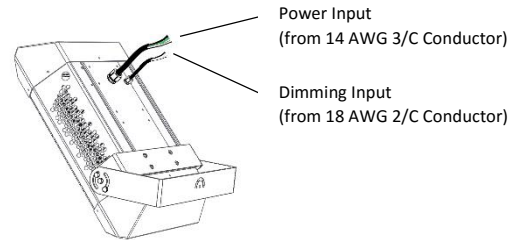


Figure 19—Variant 1, also applicable for other configurations.

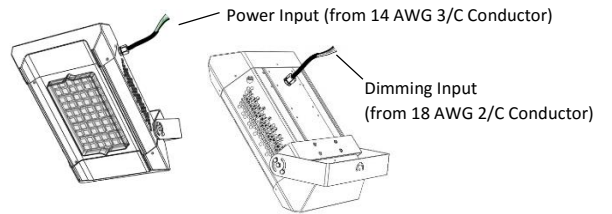


Figure 22—Variant 2, also applicable for other configurations.

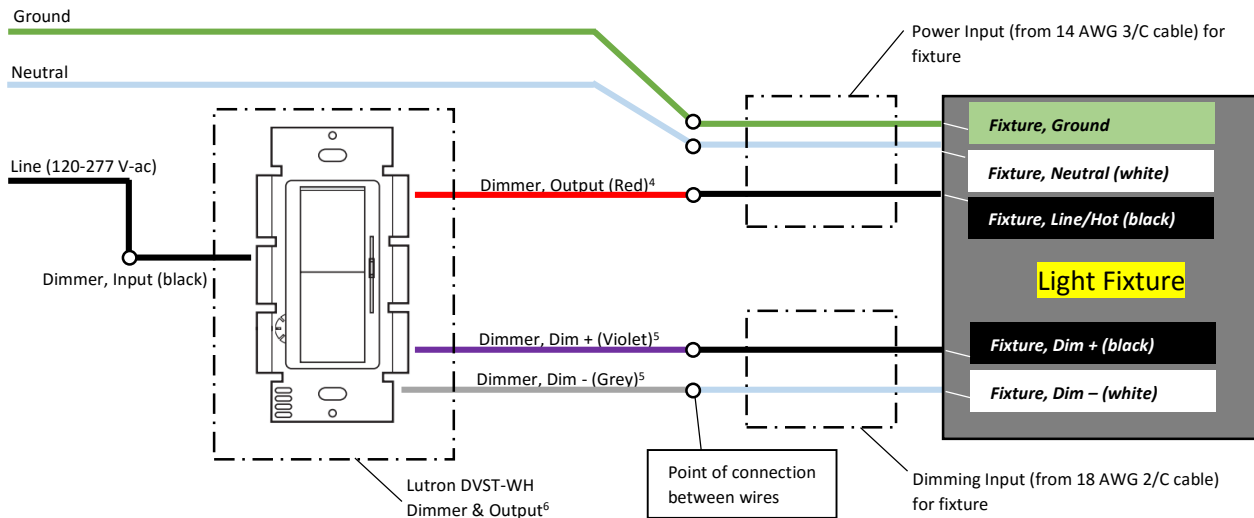


Figure 21—please note, the dimming schematic for a 0-10V lighting system may be different than the dimming schematic for a 1-10V lighting system. Please refer to the dimmer's and fixture's respective specifications.

<sup>4</sup> In the depiction, the model used is Lutron DVST-WH, which uses a red cable for [Dimmer, Output (Red)] [and is a 0-10V dimmer with a slider and a switch to manipulate fixture output]. For example, a Green gate dimmer model, this output cable may be YELLOW. For different models, please refer to the specifications.

<sup>5</sup> As default, the dimming outputs [Dimmer, Dim + (Violet)] & [Dimmer, Dim - (Grey)] from the dimmer are violet and gray. This is for the positive lead and negative leads for the 0-10V connections, respectively. Refer to the specifications of the dimmer if this is not true for that particular models. For Parallel connections with multiple fixtures, please refer to the dimmer's installation manual and dimmer's specification as to how these connections will be implemented.

<sup>6</sup> Ensure that the dimmer is properly grounded. Refer to dimmer specifications.

**Note:**

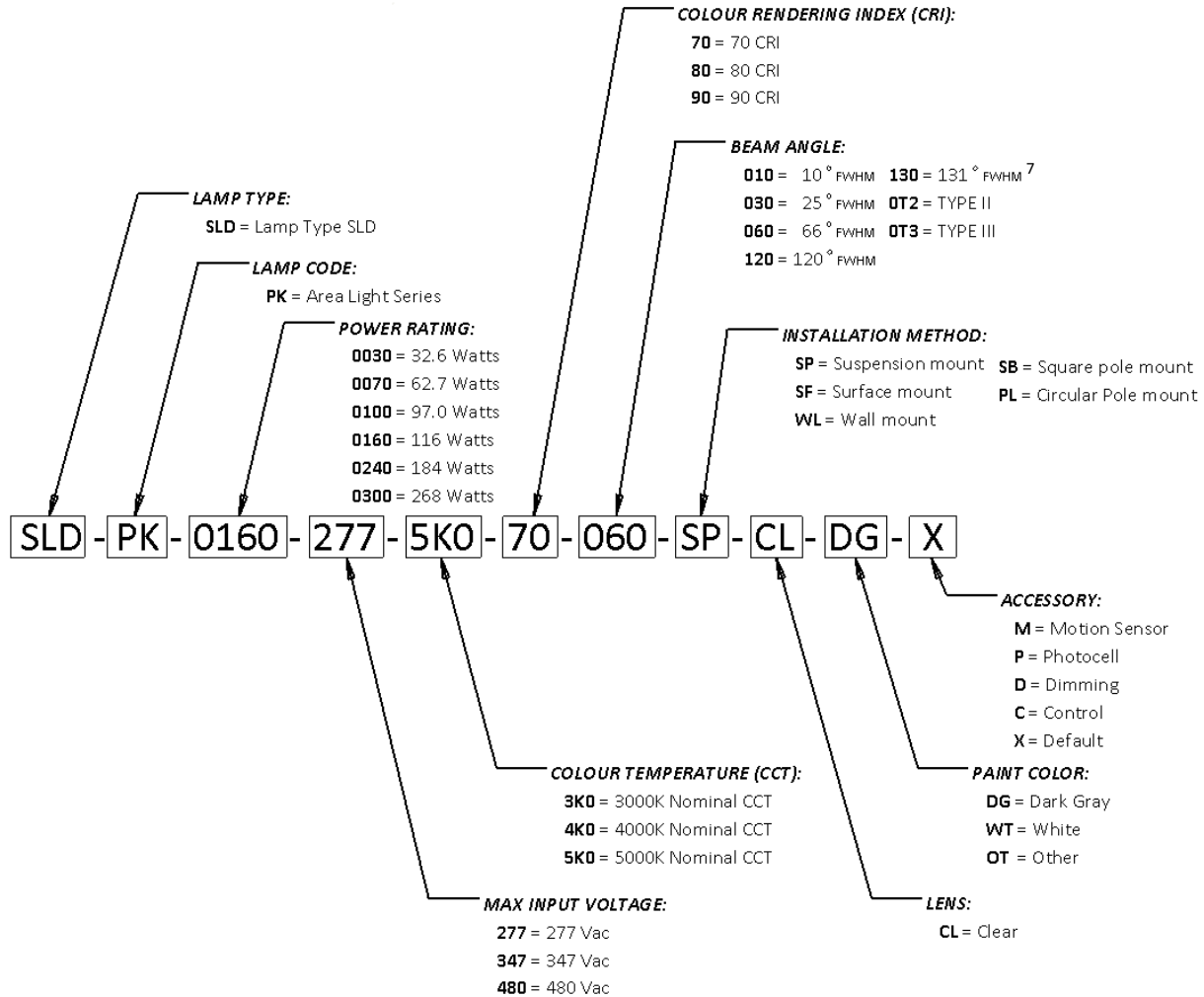
Please exercise caution when installing, adjusting, or operating these fixtures.



# SLD-PK Series



## Ordering Code



### Ordering Code Table

LAMP TYPE	LAMP CODE	POWER RATING	MAX INPUT VOLTAGE	CCT	CRI	BEAM ANGLE	INSTALL METHOD	LENS	PAINT COLOR	ACCESSORY
SLD	PK	0030	277	3K0	70	010	SP	CL	DG	M
		0070	347	4K0	80	030	SF		WT	P
		0100	480	5K0	90	060	WL		OT	D
		0160				120	PL			C
		0240				130	SB			X
		0300				0T2				
						0T3				

<sup>7</sup>Glare-reduction for lenses with beam types of 131°, Type II, & Type III only



# SLD-PK Series



*The Solution for Effective LED Lighting*

Visit us at  
[www.lumingen.com](http://www.lumingen.com)

Or call us at 1.604.371.4112

*Specifications and dimensions are subject to change without notice.*



[www.lumingen.com](http://www.lumingen.com)

NOTES: Specifications and dimensions are subject to change without notice.  
Visit us at [www.lumingen.com](http://www.lumingen.com)  
Office Telephone: 1.604.371.4112

Last Revised: 6/29/2016