



SOL Compact LED Lighting System

LED HIGH BAY SLIM SERIES



Installation Guide

for SLD-HB-F_{xxx}

IMPORTANT SAFETY INSTRUCTIONS *Mesures de Sécurité à Respecter*

This product must be installed in accordance with the applicable installation code by a person familiar with the construction and operation of the product and the hazards involved. Ce produit doit être installé selon le code d'installation pertinent, par une personne qui connaît bien le produit et son fonctionnement ainsi que les risques inhérents.

Twist-on wire connectors are not re-usable. Replace only with un-used twist-on connectors. Remplacer uniquement avec de nouveaux twist-on connecteurs de fils.



SOL Compact LED Lighting System

Table of Contents

Overview	3
Dimensions of SLD-HB-Fxxx	4
Access Cover	5
Electrical Installation	6
Pendant Conduit/Junction Box Installation (Order Code : PD)	8
Ceiling Installation (Order Code: SF)	12
Cable-Suspension Installation (Order Code: SP)	14
Impact Protection Installation (Order Code: V).....	16



SOL Compact LED Lighting System

Overview

Optional Features

Impact Protection

0/1-10Vdc Dimming

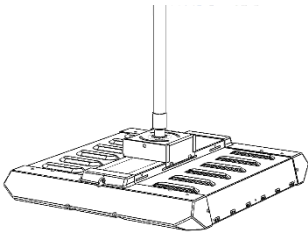
In-fixture Motion Sensor

Surge Protection

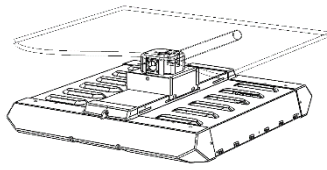
Emergency Backup Lighting

Wireless Control

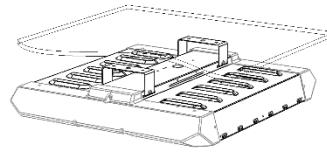
Standard Installation Options



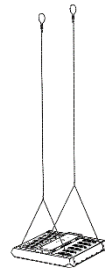
Pendant Conduit
Installation



Junction Box
Installation



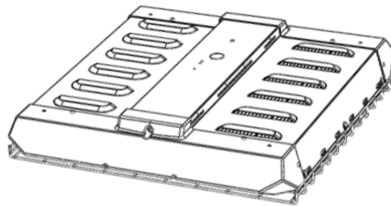
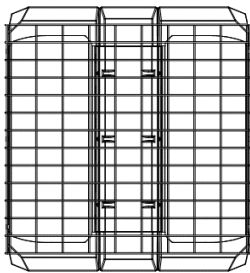
Ceiling
Installation



Suspension
Installation

Other Optional Components

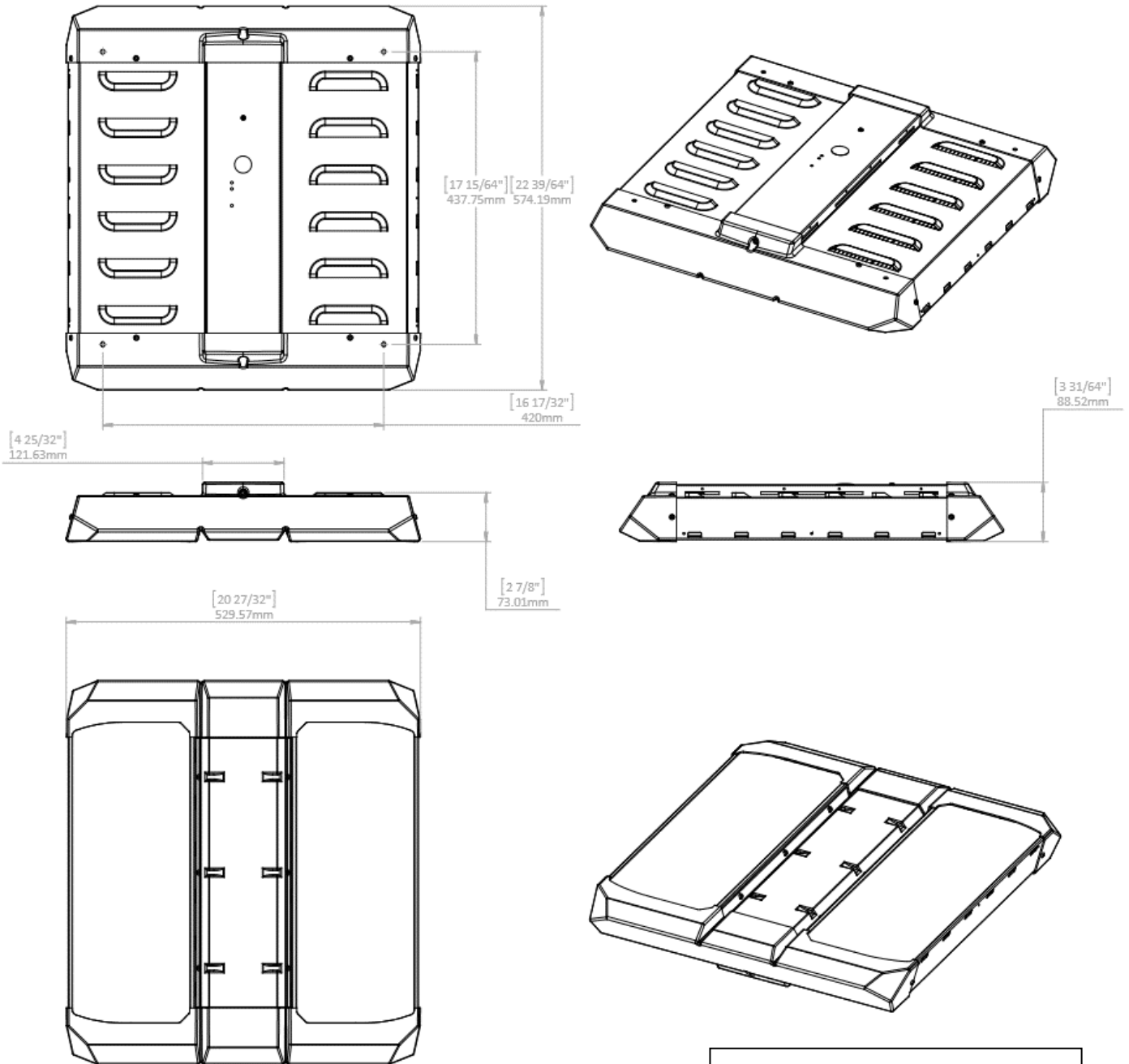
Impact Protection/Mesh Guard



SOL Compact LED Lighting System

Dimensions of SLD-HB-Fxxx
Fxxx

Dimensions of SLD-HB-Fxxx



WEIGHT SPECIFICATIONS:

SLD-HB-F100 7.95 kg

SLD-HB-F200 9.85 kg

*for default configurations



SOL Compact LED Lighting System

Access Cover

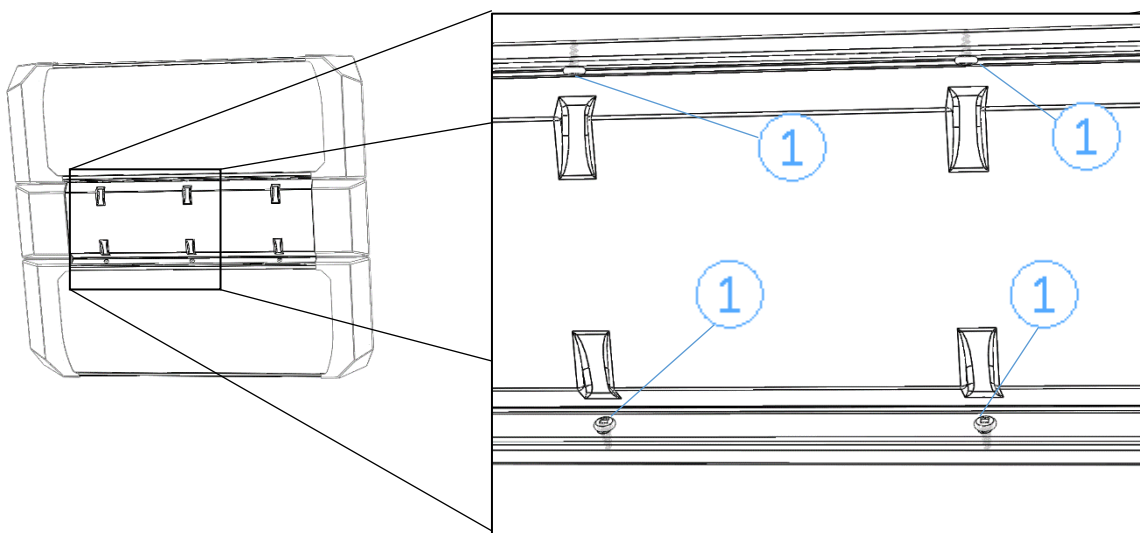


Figure 1—sheet metal screw locations attaching the access cover to the fixture itself.

6 sheet metal screws are included with the fixture for use with the access cover.

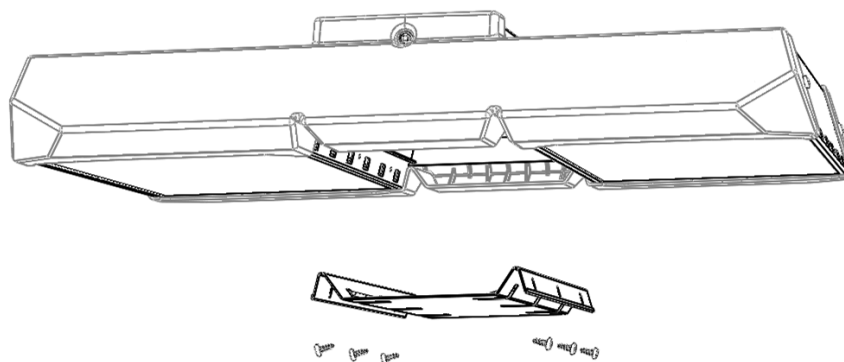


Figure 2—access cover screws are supplied with the luminaire



SOL Compact LED Lighting System

Electrical Installation

This Electrical Installation overview is similar to all configurations of the light.

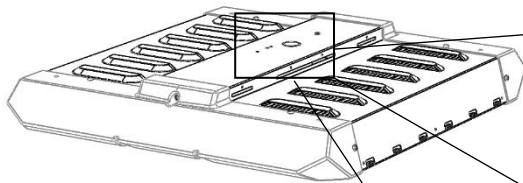
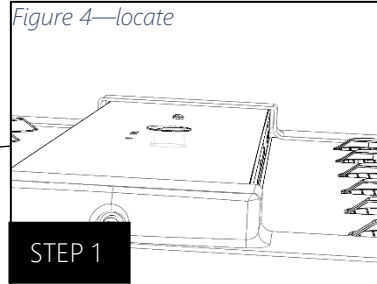
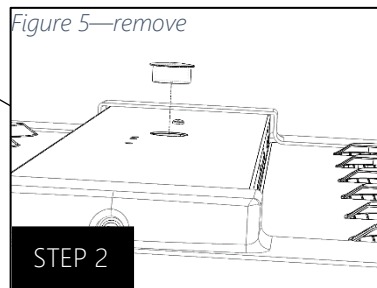


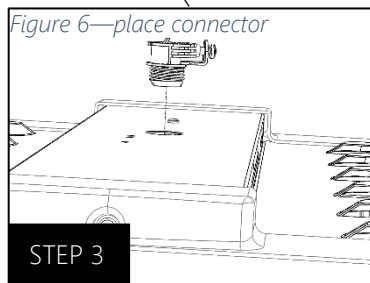
Figure 3—rubber stopper location. Please remove and pull power cable through



STEP 1



STEP 2



STEP 3

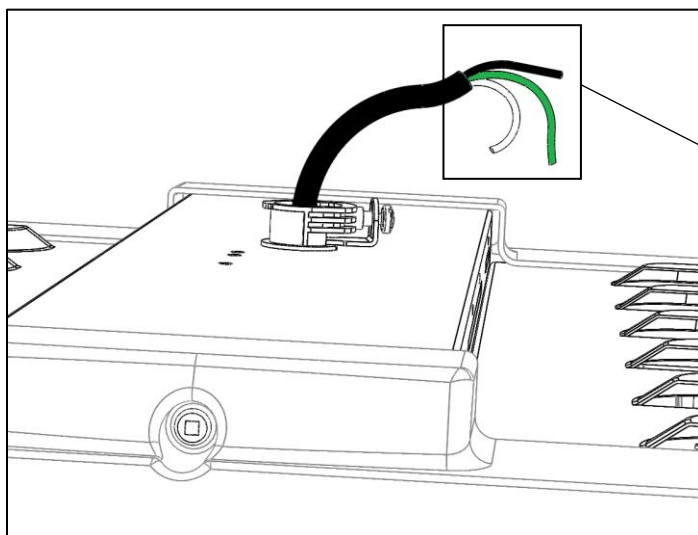


Figure 7—the depiction above references the color coding for all SLD-SOL Series luminaires. **Input voltage source overall range: AC100-480V**

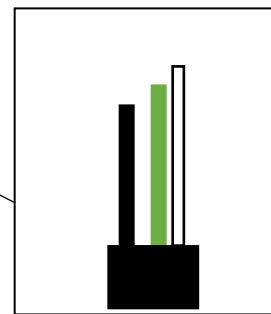


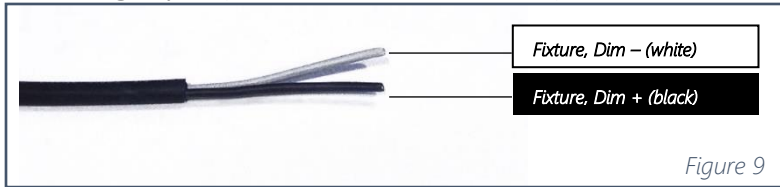
Figure 8—
color code from left to right:
Black: AC/Line (AC100-480V)
Green: Ground
White: AC/Neutral



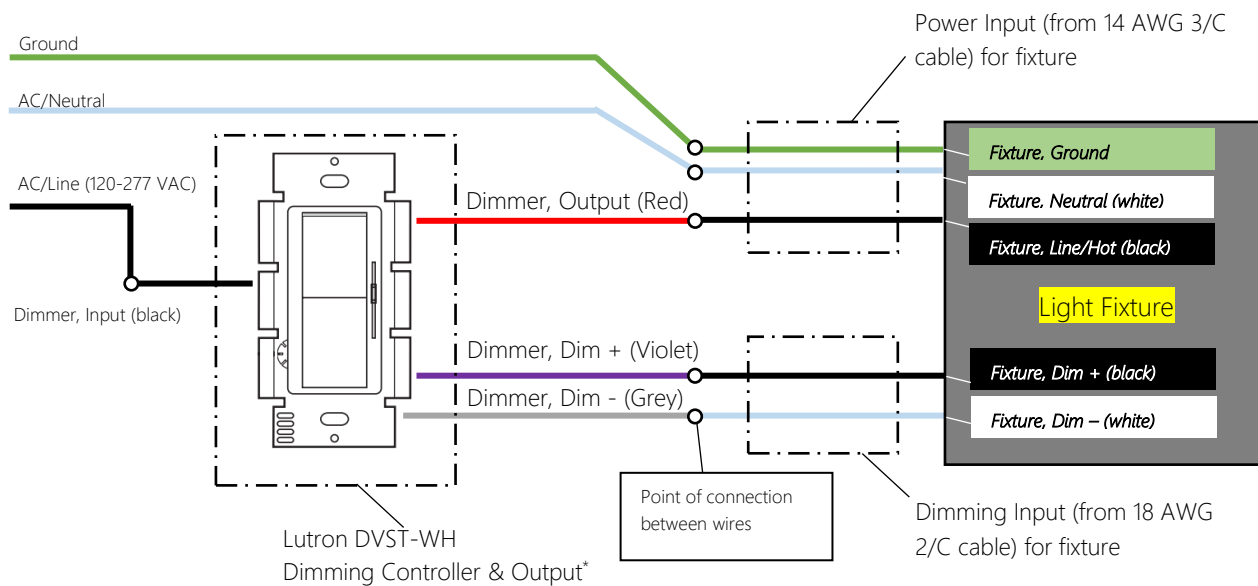
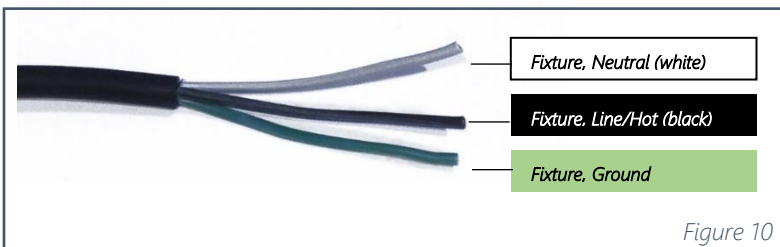
SOL Compact LED Lighting System

Dimming (0/1-10VDC) Schematic

Dimming Input (from 18 AWG 2/C cable)



Power Input (from 14 AWG 3/C cable)



*Follow proper installation procedures for your specific dimming controller. Ensure proper grounding and wire connections are made when installing the fixture with a dimming system. Verify that the dimming controller and luminaire are compatible with the input voltages of your project.

Dimming leads from 0-10VDC dimming controllers may use different coloring schemes. Please refer to the controller specifications.

Please exercise caution when installing, adjusting, or operating these fixtures.



SOL Compact LED Lighting System

Pendant Conduit/Junction
Box Installation (Order
Code : PD)

Pendant Conduit/Junction Box Installation (Order Code : PD)

Overview for Pendant Conduit Installation



Figure 12—exploded view of pendant installation assembly

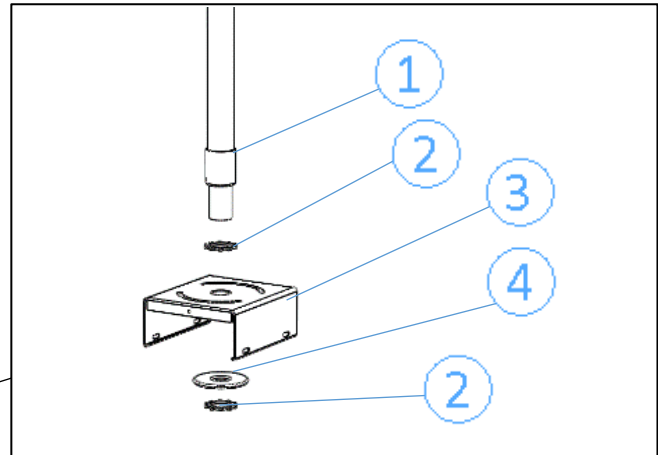


Figure 13—typical pendant mount components:
1 - 3/4" conduit, 2 - lock washer, 3 - **pendant adapter**, 4 - fender washer. Components marked 1, 2, and 4 do not come with light fixture.

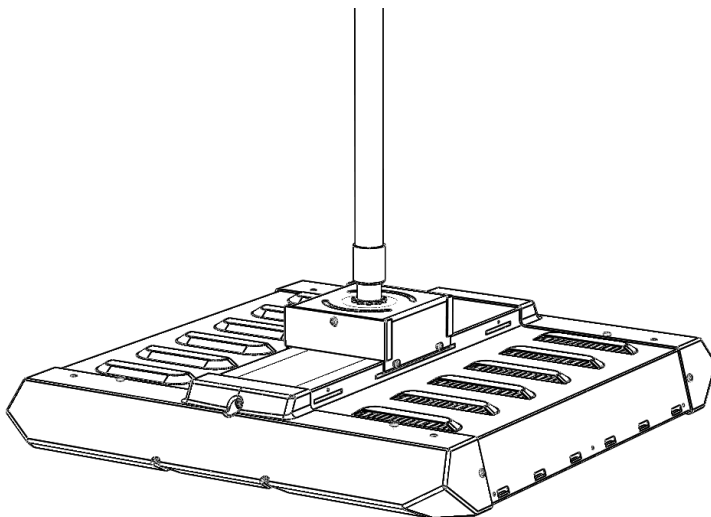


Figure 14—please confer with your contractor for the appropriate pendant mounting components and installation details per project specifications.

Ensure that the fixture is well-supported during installation.



SOL Compact LED Lighting System

Pendant Conduit/Junction
Box Installation (Order
Code : PD)

Overview for Junction Box Installation

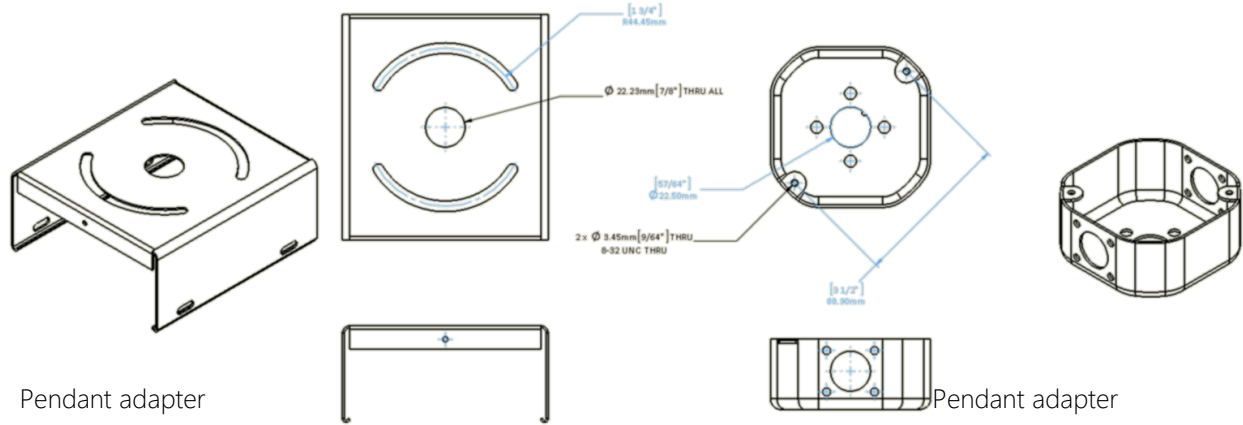


Figure 16—the **pendant adapter** (on left) also mounts onto a standard North-American Junction Box. Junction box (on the right) not included with luminaire. Consult with contractor about appropriate installation codes with this type of installation.

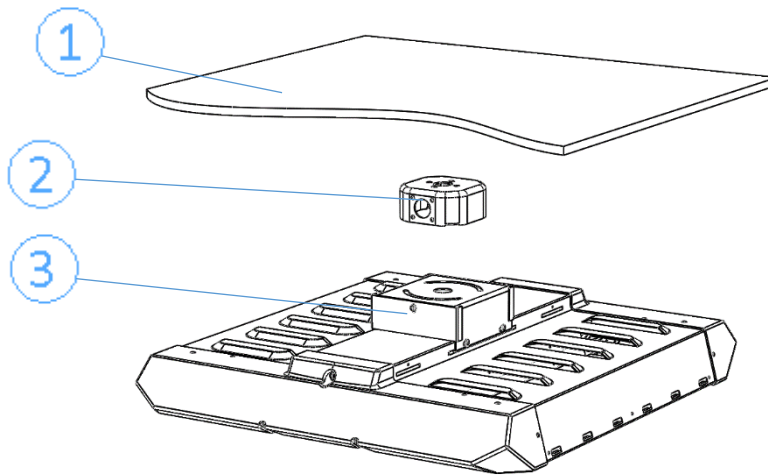


Figure 15—typical installation with North-American standard junction box. 1 – ceiling, 2 – Junction box, and 3 – **pendant adapter**. 4-in junction box not included with light fixture.

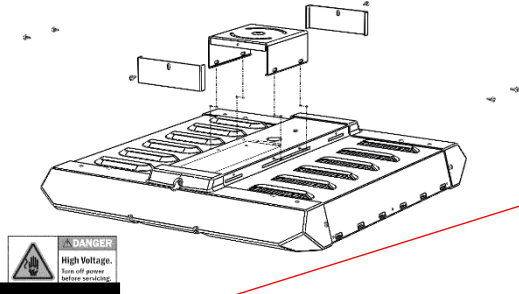
SOL Compact LED Lighting System

Pendant Conduit/Junction
Box Installation (Order
Code : PD)

Assembly Procedure

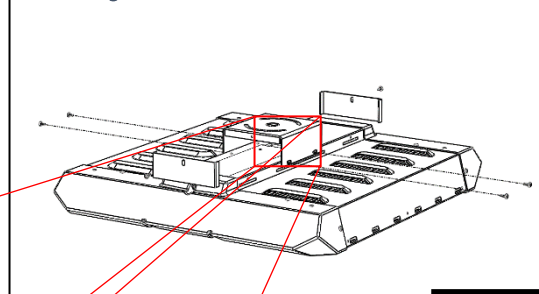
Properly support luminaire during assembly. Please verify with contractor for the safest method of assembly/installation.

Figure 17—Step 1: Attach **pendant adapter** to fixture. Refer to Figure 14 for details.



STEP 1

Figure 18—Step 2: Secure with Sheet Metal Screws. Refer to Figure 13 for details



STEP 2

Figure 19 (on right)—note sheet metal screw location. Please note the same on the other side of the pendant adapter.

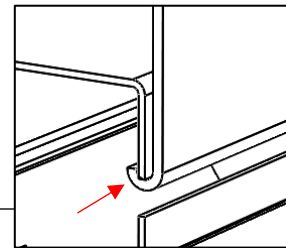
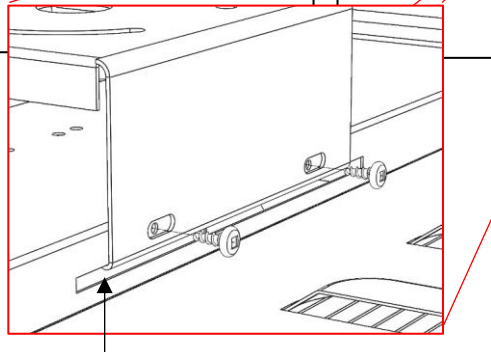
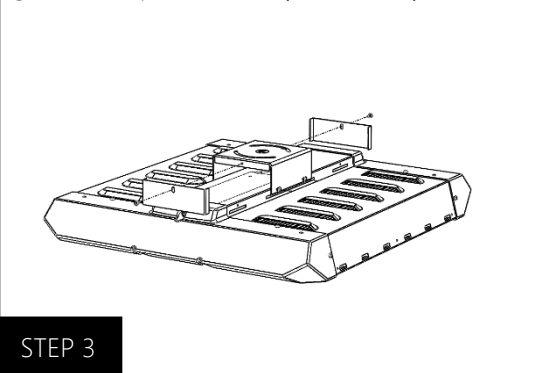


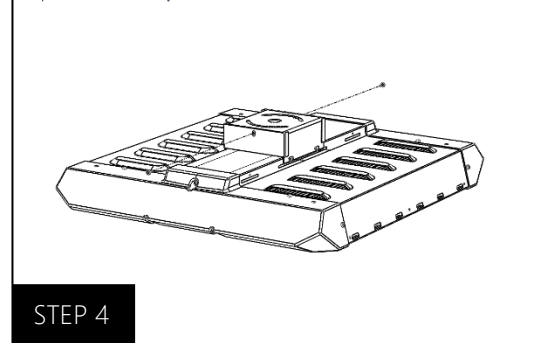
Figure 20 (above)—cross-section view: For secure attachment, **pendant adapter must wrap** around the upper edge of the slot as shown.

Figure 21—Step 3: covers for **pendant adapter**



STEP 3

Figure 22—Step 4: Final Step: Attach covers to **pendant adapter**



STEP 4

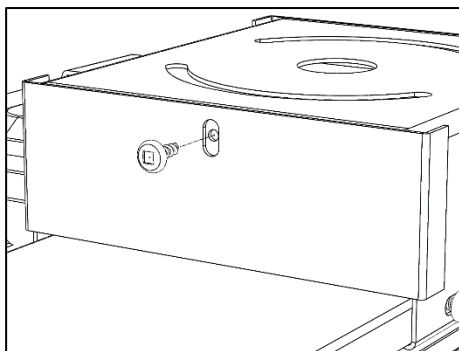


Figure 23—sheet metal screws to secure covers.

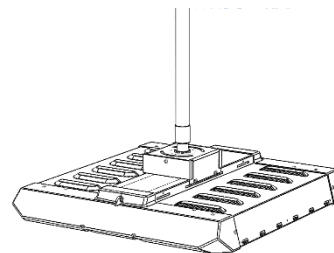


Figure 24—finished assembly/installation

SOL Compact LED Lighting System

Pendant Conduit/Junction
Box Installation (Order
Code : PD)

Electrical Installation

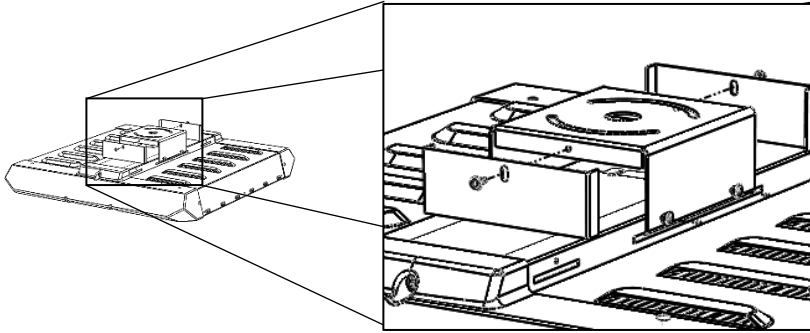


Figure 25—remove covers from pendant adapter to access power cables.

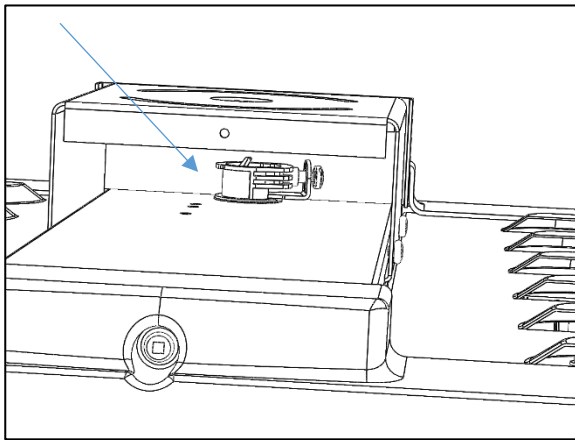


Figure 26—rubber stopper location. Please remove and pull power cable through.

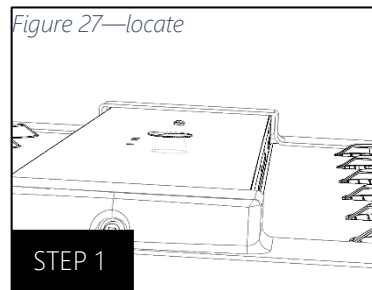


Figure 27—locate

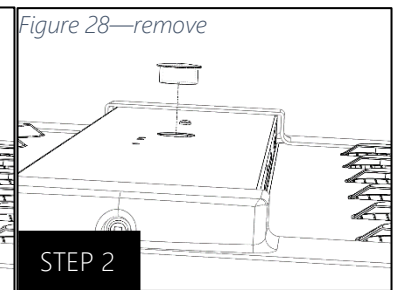


Figure 28—remove

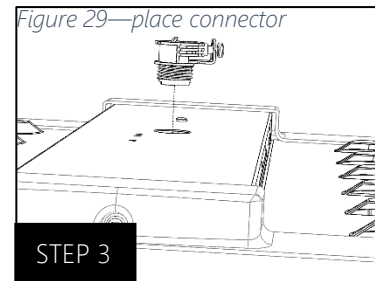


Figure 29—place connector

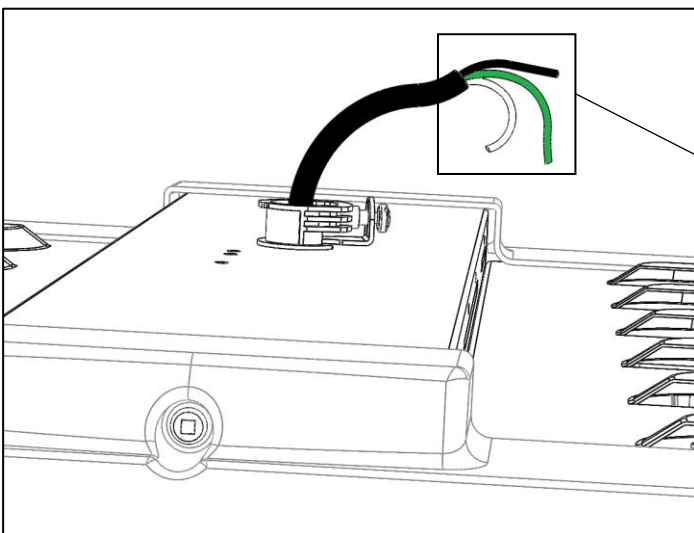


Figure 30—the depiction above references the color coding for all SLD-SOL Series luminaires. Input voltage source overall range: AC100-480V

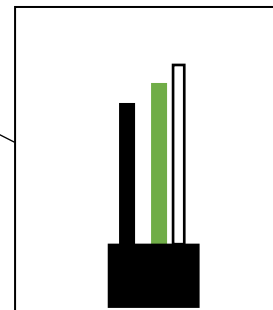


Figure 31—color code:
White: AC/Neutral
Black: AC/Line
Green: Ground



SOL Compact LED Lighting System

Ceiling Installation (Order Code: SF)

Overview

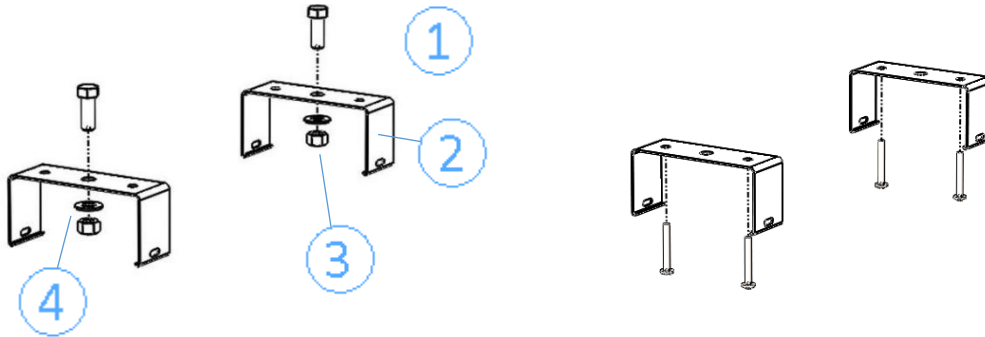


Figure 32—recommended installation using nut, fender washer, and bolts. Components run-down: 1 – Bolt, 2 – Ceiling Bracket, 3 – Nut, 4 – Fender Washer

Figure 33—atypical installation using screws, of which are not supplied with the fixture. Please confer with contractor if this installation is appropriate for your project.

Components marked 1, 3, and 4 not included with fixture.

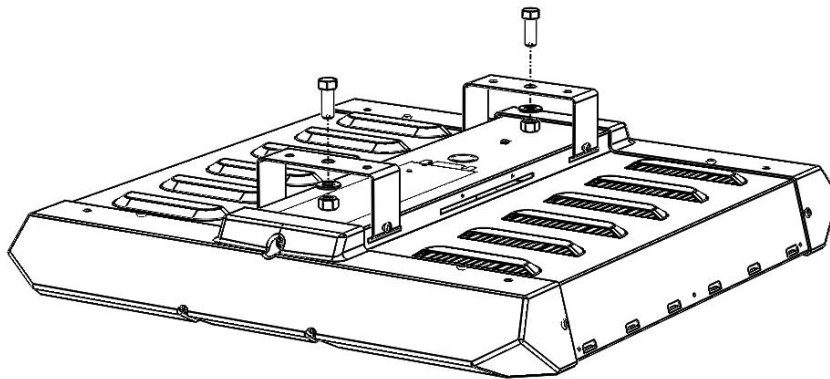


Figure 34—bolt shall be installed above ceiling. Use more fender washers if necessary. Please discuss with your contractor for the appropriate mounting components and installation details per project specifications.



SOL Compact LED Lighting System

Assembly Procedure

Figure 35—ensure fixture is well-supported during installation.

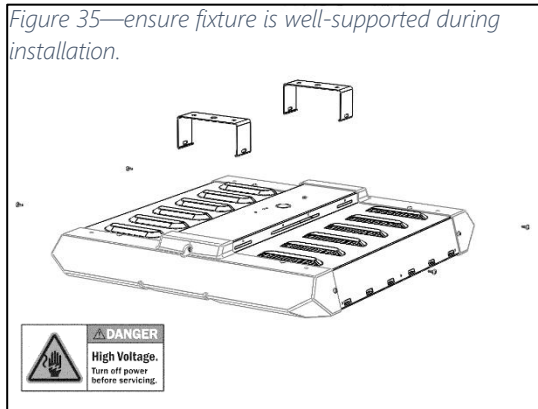


Figure 36—Step 1: Attach **Ceiling Bracket** to fixture. Refer to **Figure 30** for more details.

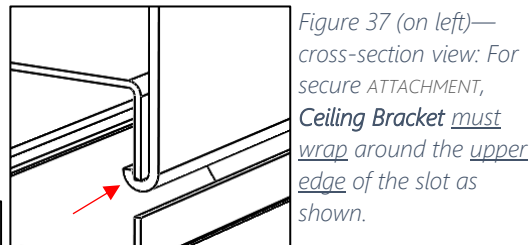
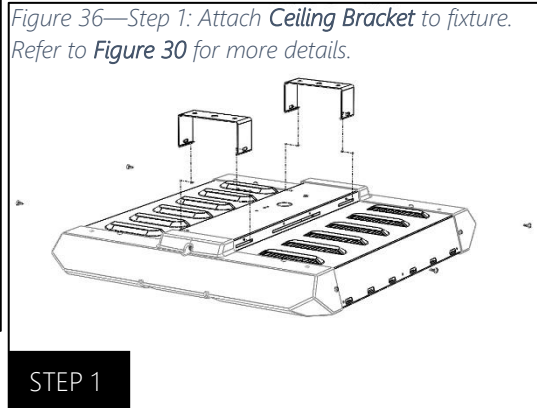


Figure 37 (on left)—cross-section view: For secure ATTACHMENT, **Ceiling Bracket** must wrap around the upper edge of the slot as shown.

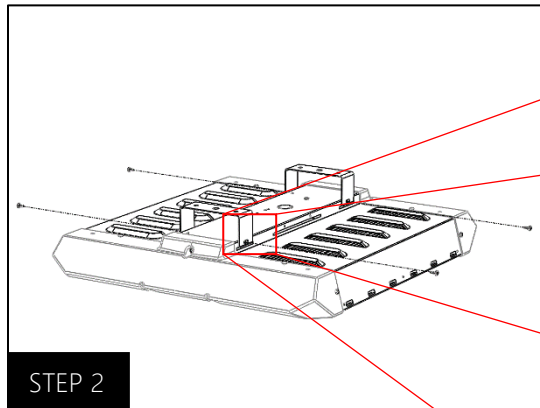


Figure 38—Step 2: Final Step: Secure with Sheet Metal Screws. Refer to **Figure 32** for details.

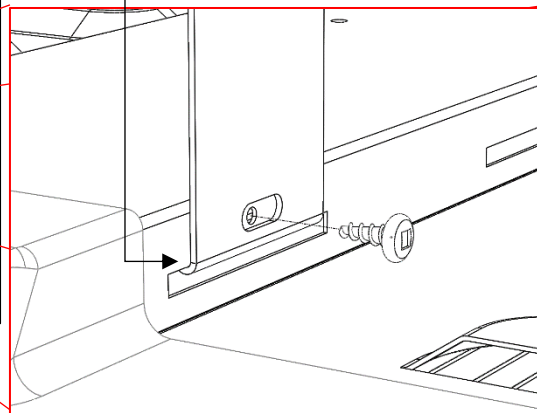


Figure 39—note sheet metal screw location. Please note the same on the other side of the **ceiling bracket**.

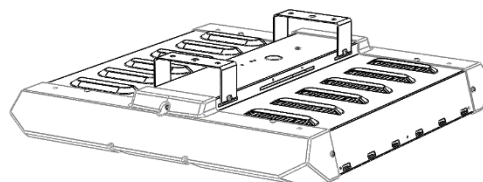


Figure 40—finished assembly/installation

SOL Compact LED Lighting System

Cable-Suspension
Installation (Order Code:
SP)

Cable-Suspension Installation (Order Code: SP)

Overview

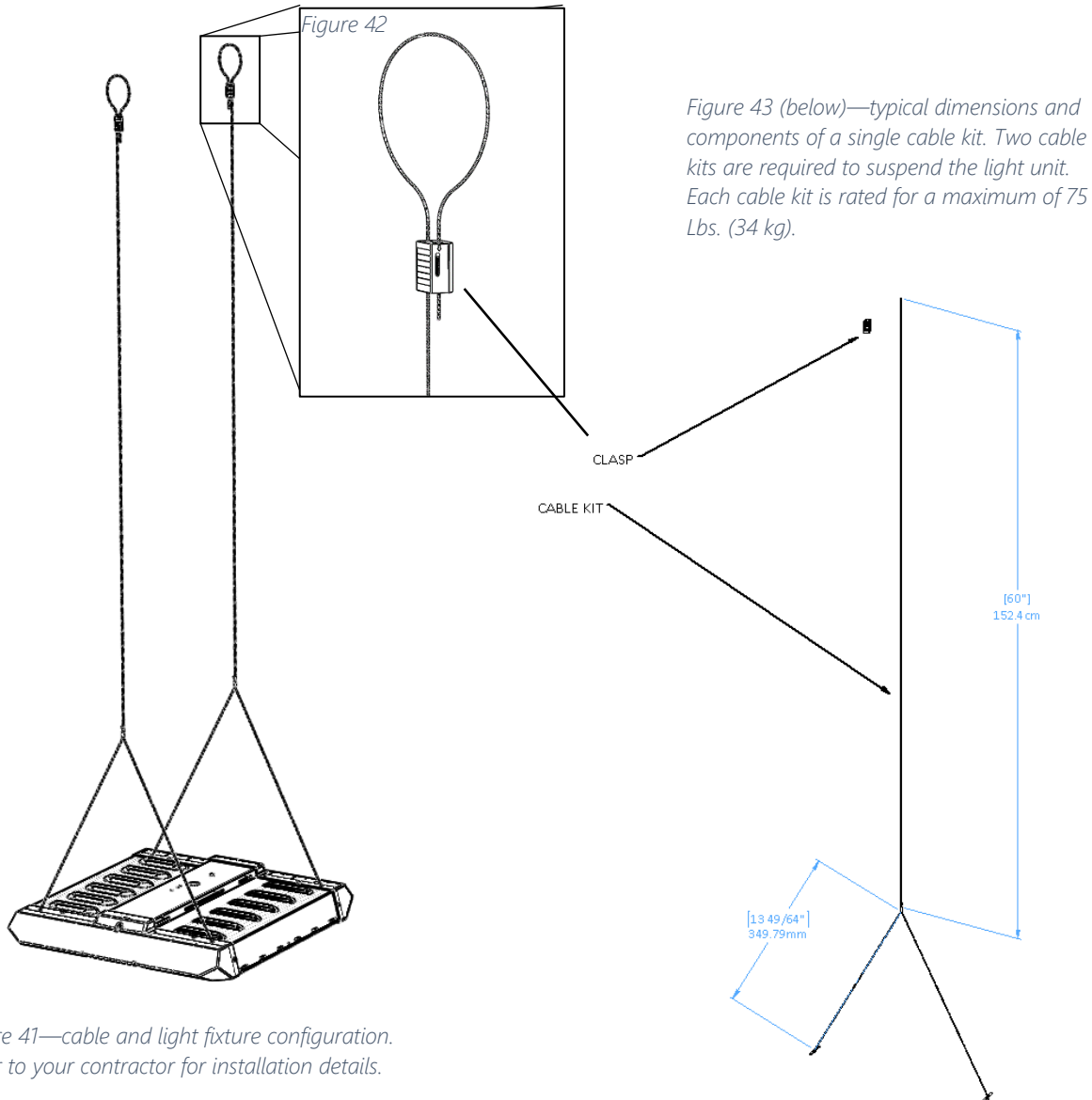


Figure 43 (below)—typical dimensions and components of a single cable kit. Two cable kits are required to suspend the light unit. Each cable kit is rated for a maximum of 75 Lbs. (34 kg).

Figure 41—cable and light fixture configuration. Refer to your contractor for installation details.

Notes:

- Each cable kit can carry a maximum load of 75 Lbs. (34 kg). A pair of cable kits will carry a maximum load of 150 Lbs. (68 kg) if properly installed and secured.
- Proper care must be taken when the cable is loaded. Do not attempt to disassemble the cable kit assembly if it is loaded.



SOL Compact LED Lighting System

Cable-Suspension
Installation (Order Code:
SP)

Assembly Procedure

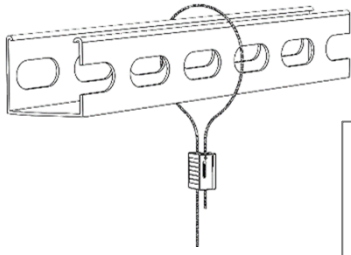


Figure 44—appropriate installation of cable around a horizontal truss.

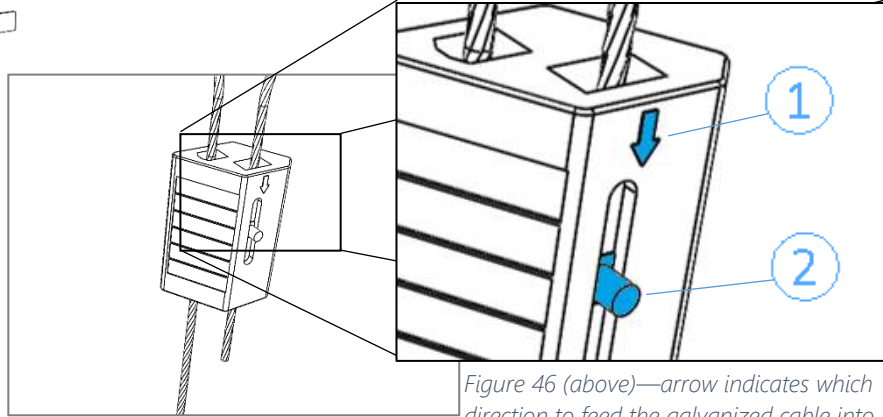


Figure 45 (above)—the clasp. Please note: when the cable is fed into the clasp, the lever will slide to the middle of the slot as shown.

Figure 46 (above)—arrow indicates which direction to feed the galvanized cable into the clasp. Force applied in the opposite direction on the cable fed into the clasp will result in no motion.

Each cable kit can carry a maximum load of 75 Lbs. (34 kg). Both will carry a maximum load of 150 Lbs. (68 kg).

Note:

1 – notation to show correct feed direction for cable (engraved onto clasp),
2 – lever to remove/loosen cable from clasp.

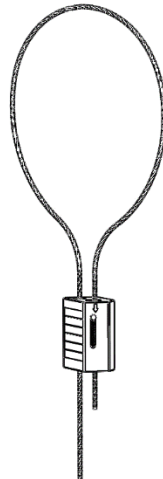
Figure 47 (right)—blue arrows depicting feed direction through the clasp.

Step 1: Feed the cable through the clasp (for the correct direction, refer to Figure 47).

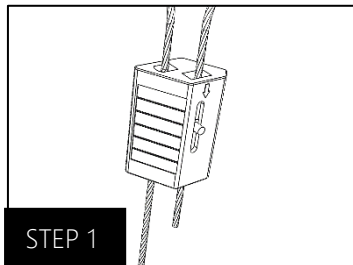
Step 2: Loop the cable around a horizontal truss.

Step 3: Finally, feed the cable back through the clasp in the correct direction. Please ensure fixture is well-supported during installation.

IMPORTANT: DO NOT attempt to slide the lever while cable is **LOADED**.

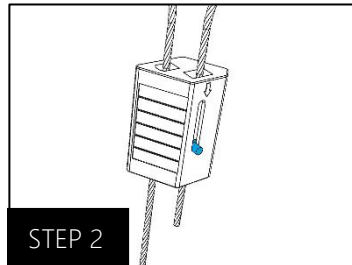


Removal Procedure—follow the steps below to loosen/remove cable from the clasp. Remove load from cable before attempting.



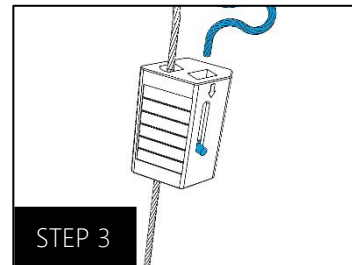
STEP 1

Figure 48—Step 1: clasp in normal/loaded configuration. Be sure the cable is **slack and relaxed (unloaded)** before removing cable.



STEP 2

Figure 49—Step 2: push the lever following the direction of the arrow towards one end of the slot.



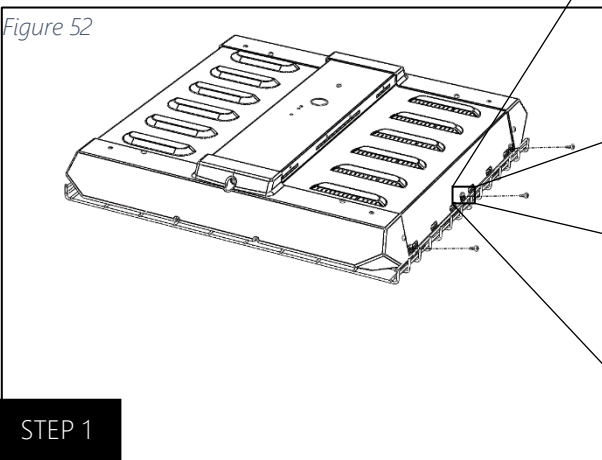
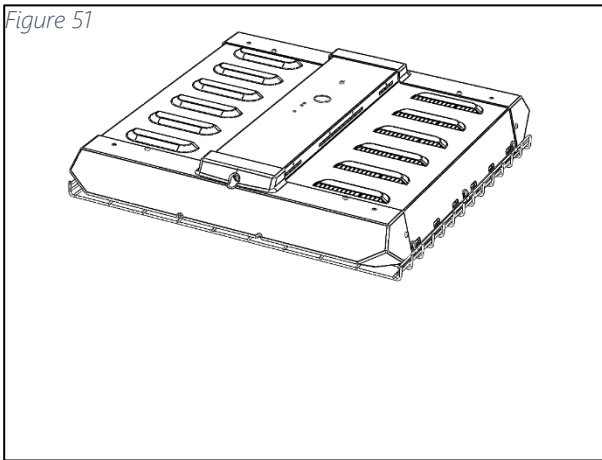
STEP 3

Figure 50—Step 3: pull on the cable against the direction of the arrow. The cable should easily slide out.

SOL Compact LED Lighting System

Impact Protection
Installation (Order Code:
V)

Impact Protection Installation (Order Code: V) Installation and Maintenance



Notes:

- Screws to attach the mesh guard are supplied with the fixture (quantity: 6)
- Installation/maintenance of the light only by person familiar with construction and operation of the product and hazards involved.
- Caution must be used when removing the fasteners. The mesh guard may become free swinging if not properly supported.

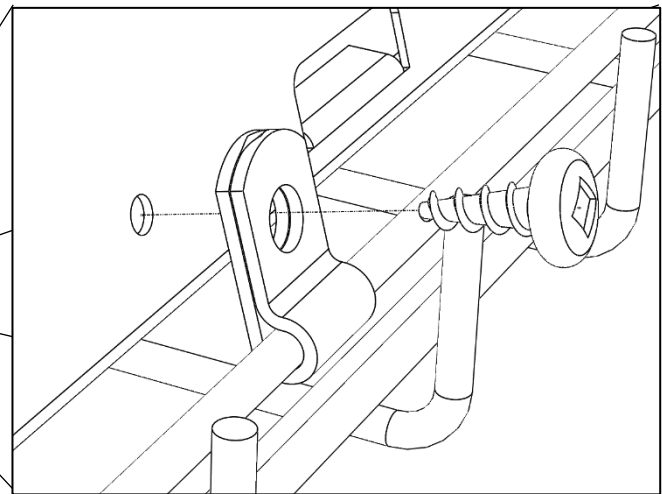


Figure 53—Sheet Metal Screw locations. Remove to allow the mesh guard to swing out.

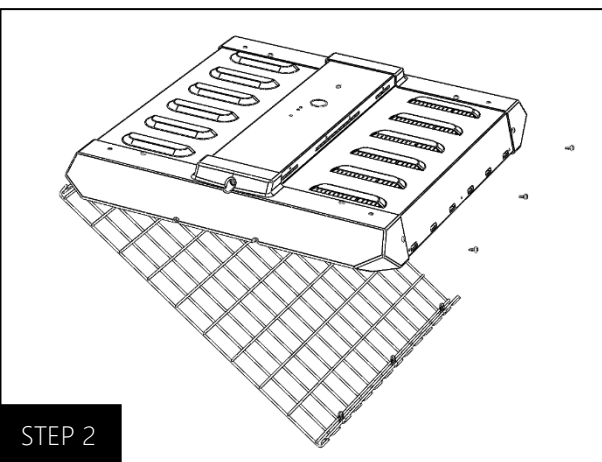


Figure 54: Step 2: Swing out the mesh guard. Service this light through the **access cover** or remove the mesh guard by repeating Step 1 on the opposite side of the mesh guard.



SOL Compact LED Lighting System

Impact Protection
Installation (Order Code:
V)



The Solution for Effective LED Lighting

Visit us at
www.lumingen.com

Or call us at 1.604.371.4112

*Specifications and dimensions are subject to change
without notice.*



Lumingen Technologies, Ltd.