

SLD-HB Series



HIGH BAY LIGHTING FIXTURE

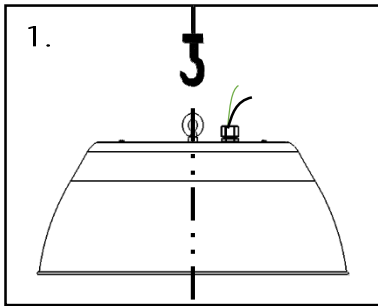
INSTALLATION GUIDE

Mechanical Installation

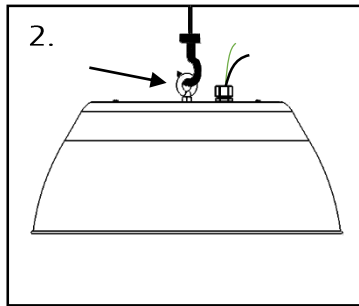
Ceiling hook, Suspension cable, Etc. will not be provided. Turn OFF power before installing or making adjustments. Please verify installation codes with your contractor.



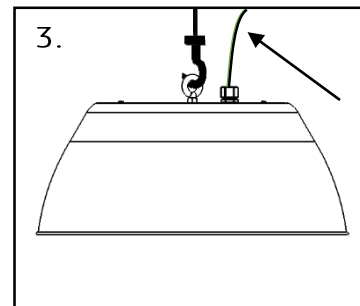
Turn off Mains



STEP 1:
Locate the ceiling hook. Align the eye hook on the luminaire with the ceiling hook.



STEP 2:
Attach the luminaire to the ceiling hook via the eye hook on the luminaire.



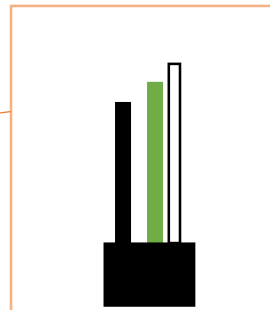
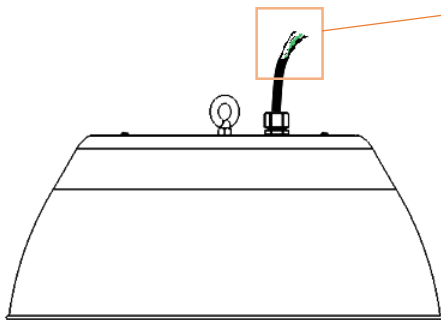
STEP 3:
Connect the luminaire to an AC supply line. Refer to the **Electrical Installation** subsection.



Turn on Mains

Electrical Installation

Please verify electrical codes with your contractor.



White: Negative

Black: Live

Green: Ground

Input voltage source:
AC100-480V



DANGER

High Voltage.
Turn off power before servicing.



NOTES: Specifications and dimensions are subject to change without notice.
Visit us at www.lumigentech.com
Office Telephone: 1.604.371.4112

Last Revised: 7/29/2015

SLD-HB Series



The Solution for Effective LED Lighting

Visit us at
www.lumigentech.com

Or call us at 1.604.371.4112

Specifications and dimensions are subject to change without notice.



www.lumigentech.com

NOTES: Specifications and dimensions are subject to change without notice.
Visit us at www.lumigentech.com
Office Telephone: 1.604.371.4112

Last Revised: 7/29/2015