

SLD-HM Series



LED HIGH MAST HIGH-OUTPUT SERIES

INSTALLATION GUIDE

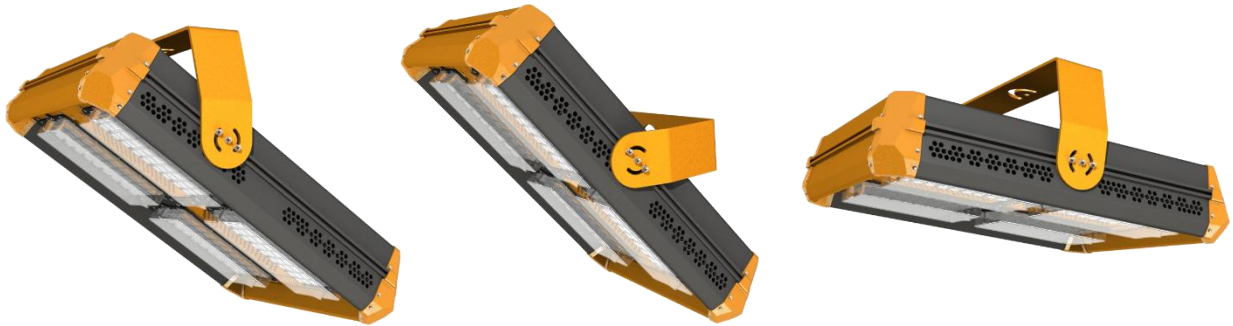
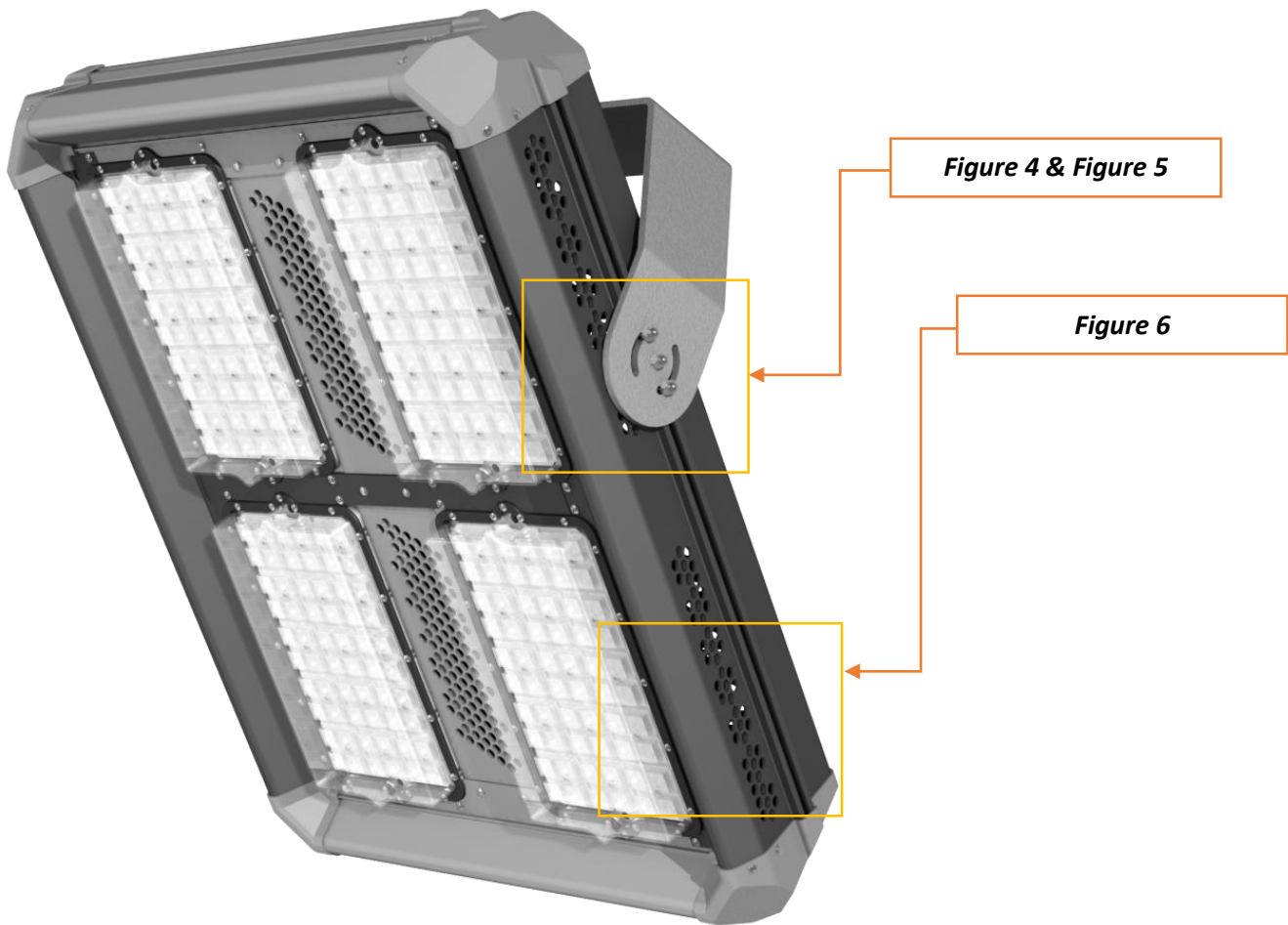


Figure 1, 2, & 3—the extrusion design allows for variable orientations while maintaining low cost and high durability.



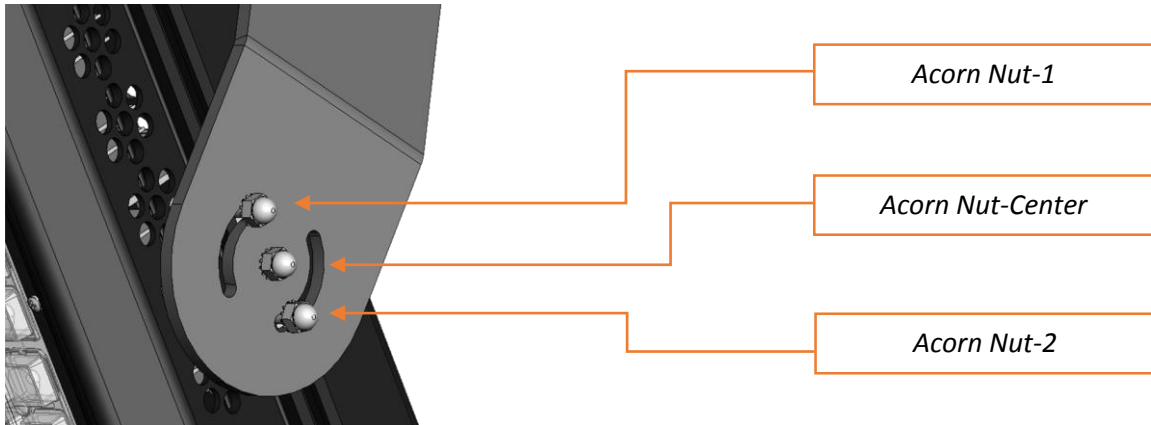
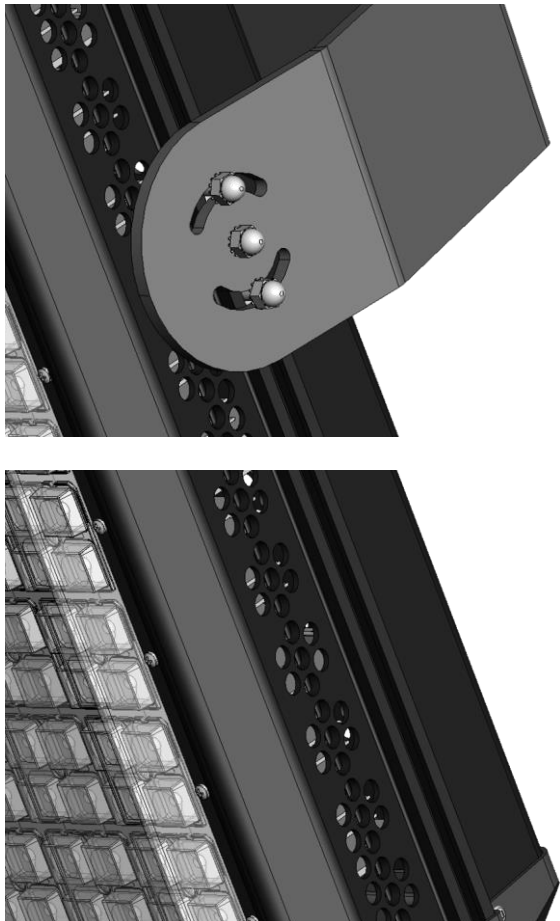


Figure 4 (above)—the acorn nuts secure the bracket in any rotational or linear position (permitted by the luminaire)

Figure 5 (below)—depicts neutral alignment for the bracket. The bracket may be rotated -50° to +50° from this angular position.



Adjustment Procedure

*NOTE: Always secure main body [Luminaire] with the proper safety cable before making **any** field adjustments. Use cable approved for loads up to 900 lb.*

1. Loosen **Acorn Nut- 1** & **Acorn Nut-2**. Do the same on the opposite end of the bracket.
2. Loosen **Acorn Nut-Center**. Do the same on the opposite end of the bracket. (*Make sure the luminaire is well supported*)
3. Adjust the angle and/or linear position of the luminaire. Use appropriate equipment to ensure the proper angular/linear positions are met.
4. Tighten **Acorn Nut-Center**. Do the same on the opposite end of the bracket.
5. Tighten **Acorn Nut-1** & **Acorn Nut-2**. Do the same on the opposite end of the bracket.

Figure 6 (left)—the railing system that for variable linear orientation. 523mm [20.6"] from end-to-end.



Mechanical Installation

Washers and Bolts not provided. Please verify local installation codes with your contractor.

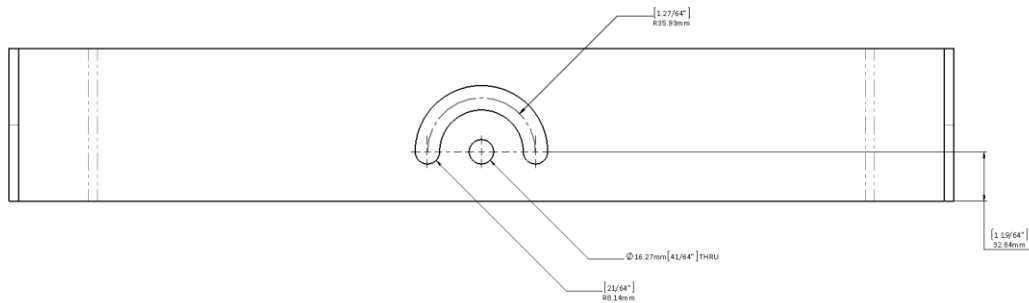
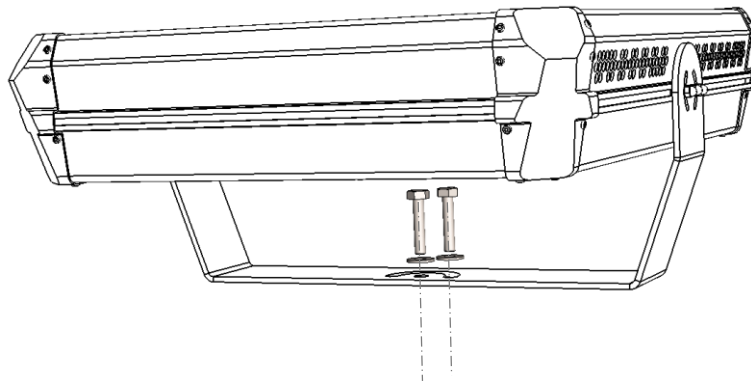
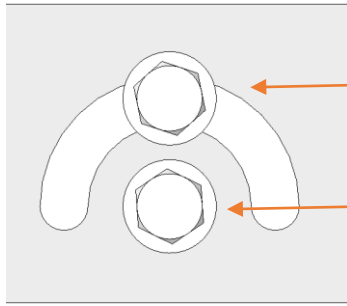


Figure 7—bolt pattern for bracket

SLD-HM Series



Bolt-1

Bolt-2

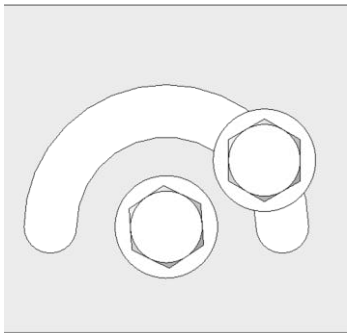


Figure 7—close-up on bolt pattern on the bracket

Figure 8—depicts rotational adjustability of the bracket

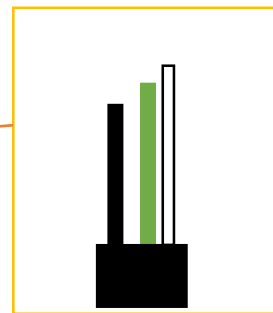
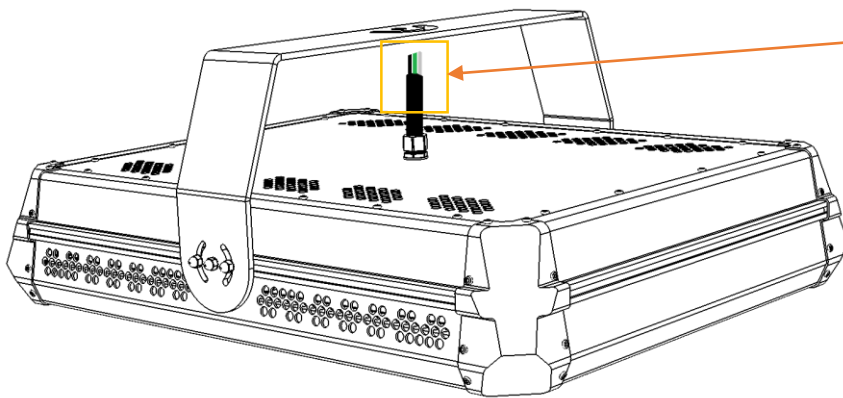
Adjustment Procedure

NOTE: Always secure main body [Luminaire] with the proper safety cable before making any field adjustments. Use cable approved for loads up to 900 lb.

1. Loosen **Bolt-1**.
2. Loosen **Bolt-2**. (Make sure the luminaire is well supported)
3. Adjust angle of the entire fixture. Use appropriate equipment to ensure the proper angular positions are met.
4. Tighten **Bolt-2**.
5. Tighten **Bolt-1**.

Electrical Installation

Verify electrical codes with your electrical contractor.



White: Negative

Black: Live

Green: Ground



SLD-HM Series



The Solution for Effective LED Lighting

Visit us at
www.lumigentech.com

Or call us at 1.604.371.4112

Specifications and dimensions are subject to change without notice.



www.lumigentech.com

NOTES: Specifications and dimensions are subject to change without notice.
Visit us at www.lumigentech.com
Office Telephone: 1.604.371.4112

Last Revised: 7/30/2015