



# HELOS Area Light Series

## LED Area/Flood Luminaire



This versatile fixture from Lumingen can fulfill a wide variety of applications. With a number of different light outputs and beam angles available it can replace anything from a small parking facility light to a 1000-watt traditional fixture. The PK is rated IP67, and can be spray washed or submerged to a depth of one metre for cleaning, making it the ideal solution for food processing facilities such as bakeries, or for any other environment with a high level of dust or dirt. These luminaires can be pole, suspension, surface or wall mounted. The high-quality lens will withstand exposure to harsh chemicals, making it an excellent solution for mounting around swimming pools.

#### Applications:

- Manufacturing
- Food Processing
- Low/High Mast Lighting
- Recreation Facilities
- Roadway



*Lumingen Technologies, Ltd.*

Specs subject to change without notice. July 19, 2018

# HELOS Area Light Series

Replaces up to 400-watt metal-halide fixtures

Up to 162,000-hours of maintained light output

System power ratings ranges from 30 Watts to 268 Watts

Optical Variations (10°, 25°, 66°, etc.)

Application Diversity

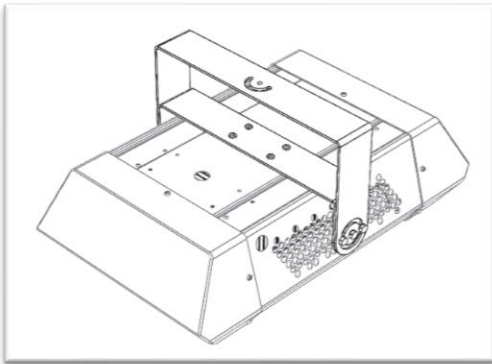


Figure 1—Ceiling Install (Code: SF)

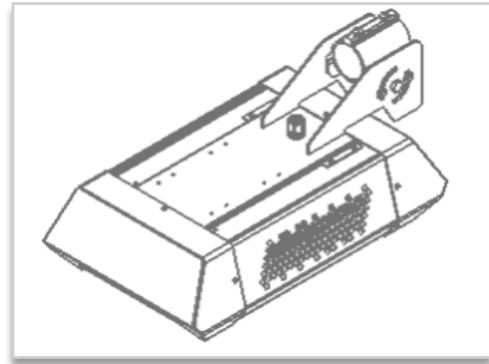


Figure 2—Round Pole Install (Code: PL)

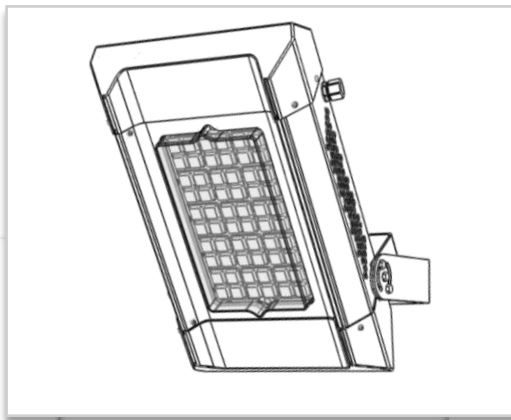


Figure 3—Wall Installation (Code: WL)

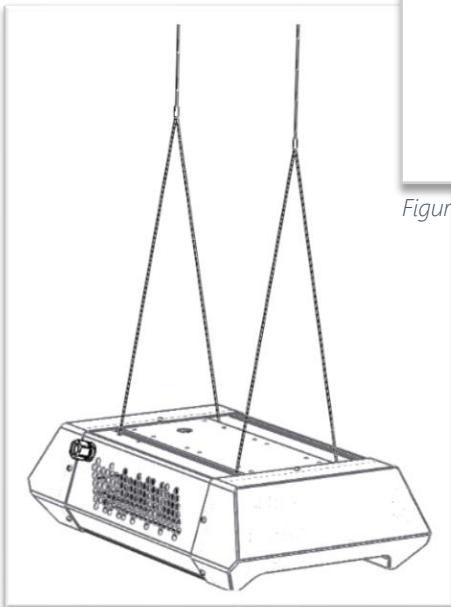


Figure 5—Suspension (Code: SP)

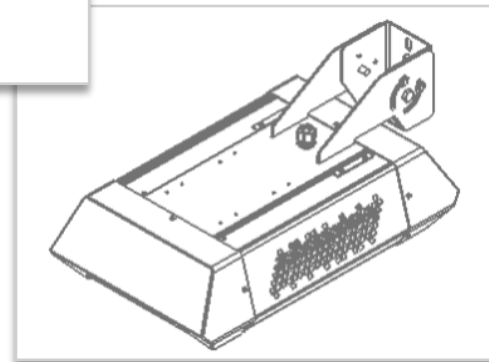


Figure 4—Square Post/Shoe Box Install (Code: SB)

# HELOS Area Light Series

## SLD-PK-XXXX Specifications

**Listing:** CSA CUS Certified. Suitable for Wet/Damp Locations. DLC QPL Standard Listed (0070~0300 models only). e.Catalog Listed.

**LED:** Ceramic-based LED chips for great efficiency, stability, and operational longevity.

**Optics:** 10°, 25°, 60°, 90°, 120°, 131°, Type 2, Type 3

**Available CRI:** >70, >80, >90

**Colour Temperature (CCT):** 2700-6500K

**Expected L70 Lifespan:** over 162,000 hours  
(over 137,000 hours for SLD-PK-0030/0070 only)

**Input Line Voltage:** 120-277 VAC, 347 VAC, 480 VAC; 50/60 Hz

**Operating Temperature:** -40°C to 55°C

**Housing:** High-quality sheet metal for environment ruggedness, powder-coated finish for corrosion resistance. High-grade UL94-V0 impact-resistant ABS plastic components.

**Lens:** Shatter-resistant, impact-resistant polycarbonate for high efficiency optical applications.

**Installation:** Wall, Surface (Ceiling), Suspension, or Round Post, Square Post

**Warranty:** 5 years

**Standard Dimensions:** 55 cm × 34 cm × 16 cm [22 in × 13 in × 6 in]

**Standard Weight:** 7.3 kg - 8.5 kg (16 lb. - 19 lb.)

**Major Feature:** IP67 dust/water protection. High efficiency.

**Certification/Standards:** Certified for compliancy with relevant safety standards by CSA Group. Compliant with IESNA Standards for LM-79 for luminaire performance and LM-80 for LED performance characteristics.

Model No.	Delivered Light (lm)	Wattage (W)	Efficiency (lm/W)
SLD-PK-0030	3,938	32.6	121
SLD-PK-0070	8,467	62.7	135
SLD-PK-0100	11,350	97	117
SLD-PK-0160	15,060	116	130
SLD-PK-0240	21,215	183.5	116
SLD-PK-0300	31,090	268	116

## Optional Features

- 0-10VDC Dimming
- In-fixture Motion Sensor
- Surge Protection
- Photo Sensor
- Housing Color

## Ordering Code

LAMP TYPE	SERIES CODE	POWER RATING	AC INPUT VOLTAGE	CCT	CRI	OPTICS* (degrees)	INSTALLATION METHOD	LENS	PAINT COLOR	OPTIONS*
SLD	PK	0160	277	5K0	70	060	SF	CL	DG	M-P-D
SLD	PK (Area Light)	0030 (33W) 0070 (63W) 0100 (97W) 0160 (116W) 0240 (184W) 0300 (270W)	277 (120~277V) 347 (347V) 480 (480V)	3 K 0 (3000K) 4 K 0 (4000K) 5 K 0 (5000K)	7 0 8 0 9 0	0 1 0 (10°) 0 3 0 (25°) 0 6 0 (66°) 0 9 0 (90°) 1 2 0 (120°) 1 3 0 (131°) 0 T 2 (Type 2) 0 T 3 (Type 3)	S P (Suspension) S F (Surface/Ceiling) W L (Wall) S B (Square Post) P L (Round Post)	C L (Clean)	D G (Dark Grey) W T (White) O T (Other)	M (Motion Sensor) P (Photocell) D (Dimming) C (Wireless Control) V (Impact) X (None)

\*NOTES:

### OPTICS:

Glare-reduction for beam angles of 131°, Type 2, and Type 3 optics only.

### OPTIONS:

For orders with several options, code shall be appended as follows:

SLD-PK-xxxx-xxx-xxx-xx-xxx-xx-xx-xx- [OPTION 1] - [OPTION 2] - ... - [OPTION n]

If no options are desired, apply a single code "X" in the OPTIONS area.

Example above: M-P-D: Motion Sensing (M), Photocell (P), and 0/1-10VDC Dimming (D)

