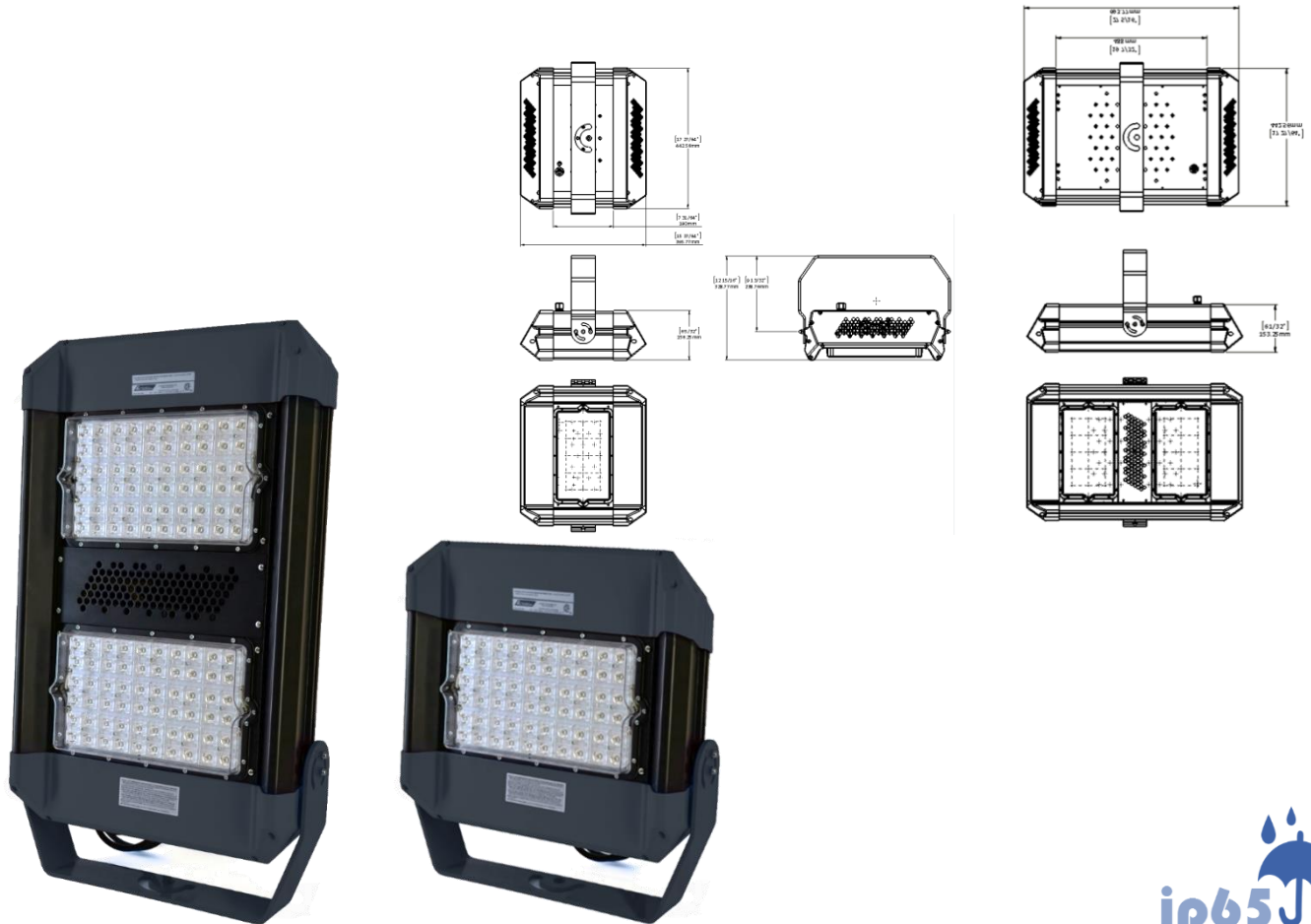




HIGH MAST LED Lighting System

LED HIGH OUTPUT SERIES



Pendant Mount Installation Guide for SLD-HM-XXXX/HELOS-PLUS-XXXX

IMPORTANT SAFETY INSTRUCTIONS *Mesures de Sécurité à Respecter*

This product must be installed in accordance with the applicable installation code by a person familiar with the construction and operation of the product and the hazards involved. Ce produit doit être installé selon le code d'installation pertinent, par une personne qui connaît bien le produit et son fonctionnement ainsi que les risques inhérents.

Twist-on wire connectors are not re-usable. Replace only with weather-proof twist-on wire connectors. Twist-on wire connecteurs ne sont pas réutilisables. Utiliser des connecteurs seulement intempéries.

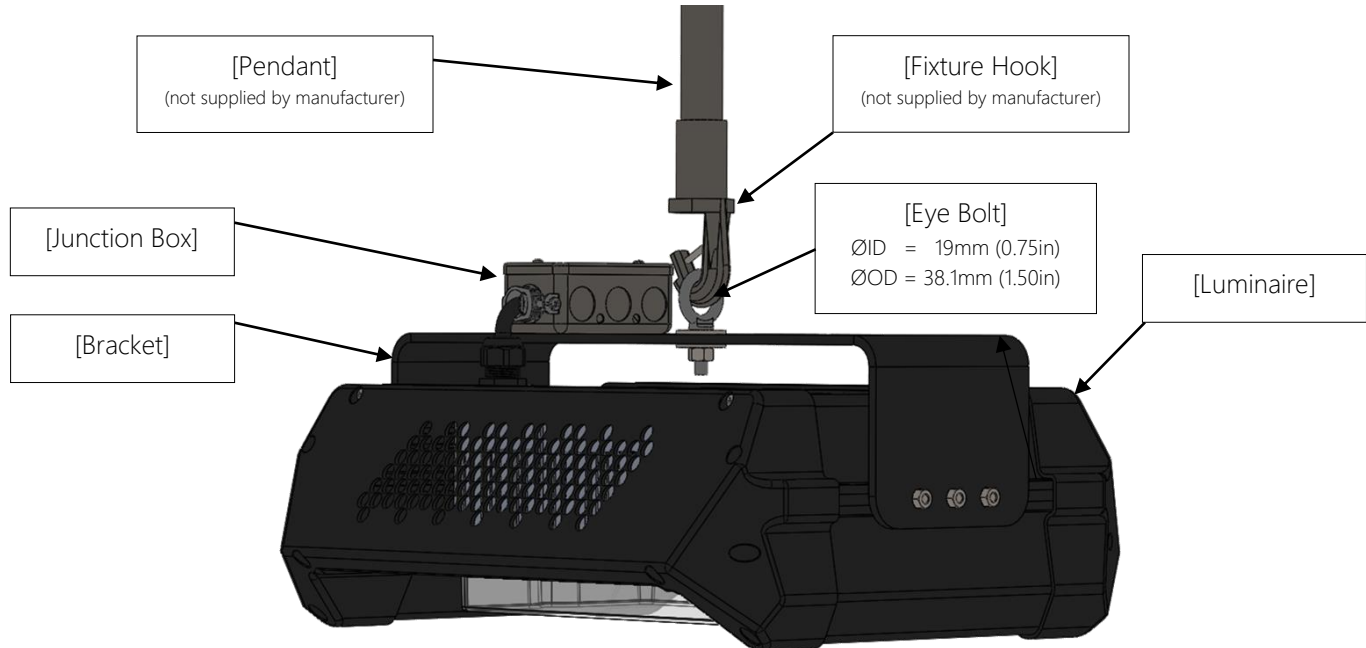
HIGH MAST LED Lighting System

1.0 Pendant Mount
Installation (Order Code:
PD)

1.0 Pendant Mount Installation (Order Code: PD)

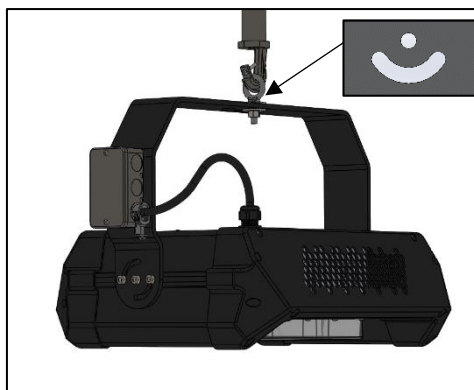
Installation applicable for the following luminaires

SLD-HM-0400, SLD-HM-0560, HELOS-PLUS-0400, HELOS-PLUS-0800

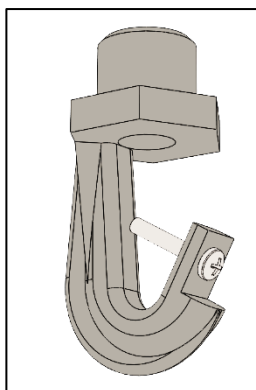


NOTE:

Keep [Eye Bolt] above [Luminaire] center of weight to limit tilting.
Use bubble level whenever possible to ensure proper level.



Pendant installation with different brackets. Eyebolt position may not be center along short width of bracket, proper alignment will need to be observed before completion of installation. Please contact manufacturer for any questions regarding installation.



Typical fixture hook for high bay pendant installation. Fixture hook for pendant installation is not supplied with luminaire. Hook can be found in both male and female-threaded versions. It is highly recommended for the hook to feature a set screw or other locking mechanism.

[Luminaire] comes standard with [Bracket], [Eye bolt] and length of cable for installation.

[Junction Box] is optional add-on. Additional strain relievers are not included with the [Junction Box] option. Cable length can also be supplied to allow for the length of cable to be pulled up the [Pendant] to the ceiling junction box.

[Luminaire] may also be supplied with safety cable. Please contact manufacturer for specific requests.

[Eye bolt] must be located over center of luminaire. Please check with bubble level to ensure [Bracket] and [Eye Bolt] are located such that the [Luminaire] is flat and pointing downward. [Luminaire] may allow for minor angular adjustment.

Twist-on wire connectors are not re-usable. Replace only with weather-proof twist-on wire connectors.

Minimum 90°C supply conductors.

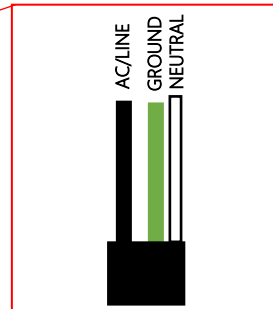
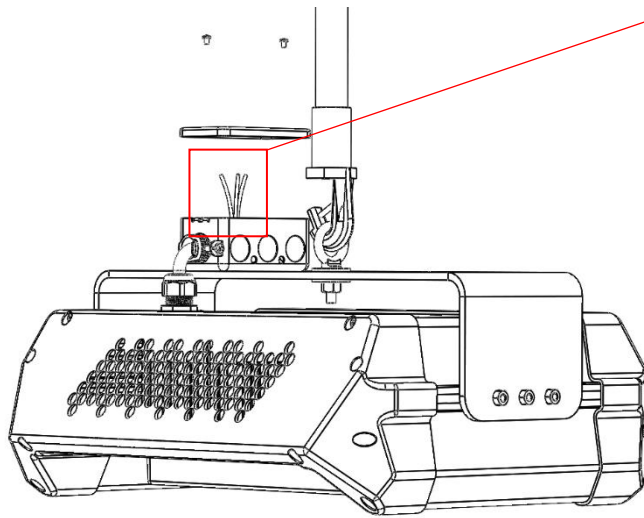
[Luminaire] is not suitable for flush ceiling mount applications and must maintain minimum spacing of 30cm from top of [Luminaire] to ceiling.

[Luminaire] uses active cooling for standard operation. Ensure that air intake is not obstructed.



HIGH MAST LED Lighting System

2.0 Electrical Installation



Color code for 100-480 VAC (from left to right):

- Black: AC/Line
- Green: Ground
- White: AC/Neutral

If luminaire has 0-10V dimming included, there will be an additional 2 smaller gauge conductors:

- Blue: Dim +
- White: Dim -

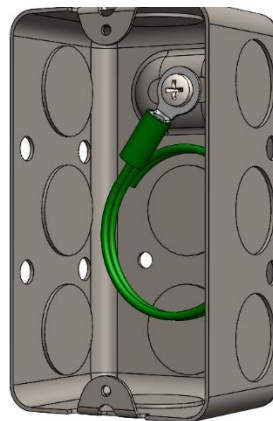
Otherwise, dimming will be labeled to indicate polarity of leads.

The depiction above references the color coding for all applicable fixtures mentioned in this document.

Verify electrical codes with your electrical contractor.

Twist-on wire connectors are not re-usable. Replace only with weather-proof twist-on wire connectors.

Minimum 90°C supply conductors.



Ensure that any accessible metal parts of electrical enclosures are properly bonded and grounded.



HIGH MAST LED Lighting System



The Solution for Effective LED Lighting

Visit us at
www.lumingen.com

Or call us at 1.604.371.4112

*Specifications and dimensions are subject to change
without notice.*

