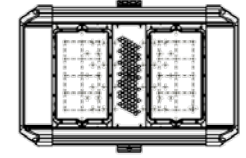
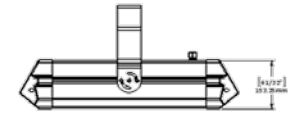
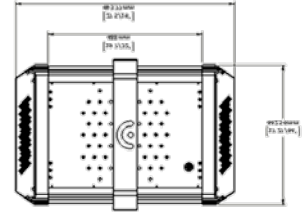
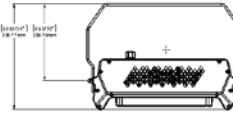
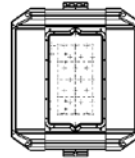
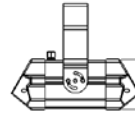
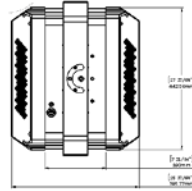




HIGH MAST LED Lighting System

LED HIGH OUTPUT SERIES



Installation Guide for SLD-HM-XXXX/HELOS-PLUS-XXXX

IMPORTANT SAFETY INSTRUCTIONS *Mesures de Sécurité à Respecter*

This product must be installed in accordance with the applicable installation code by a person familiar with the construction and operation of the product and the hazards involved. Ce produit doit être installé selon le code d'installation pertinent, par une personne qui connaît bien le produit et son fonctionnement ainsi que les risques inhérents.

Twist-on wire connectors are not re-usable. Replace only with weather-proof twist-on wire connectors. Twist-on wire connecteurs ne sont pas réutilisables. Utiliser des connecteurs seulement intempéries.



HIGH MAST LED Lighting System

1.0 Standard Installation
(Order Code: SF)

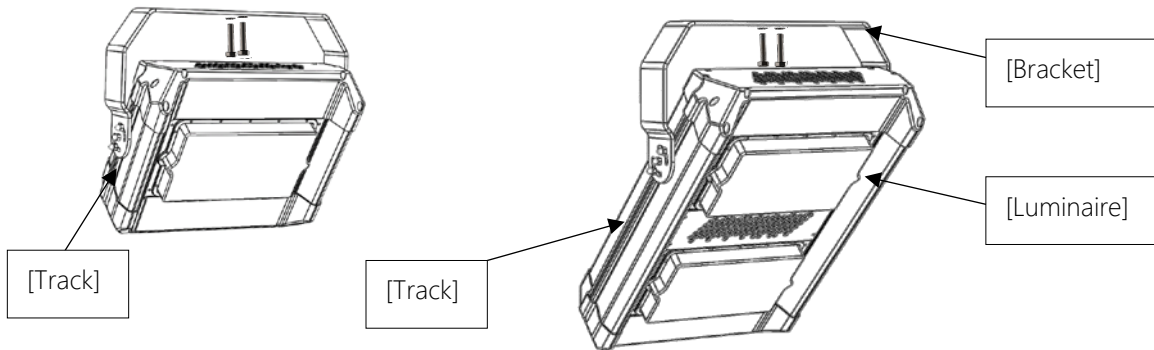
1.0 Standard Installation (Order Code: SF)

Installation applicable for the following luminaires

SLD-HM-0400, SLD-HM-0560, HELOS-PLUS-0400, HELOS-PLUS-0800

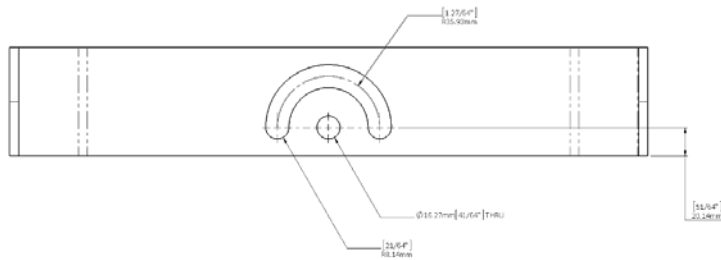
1.1 Overview for Installation

Washers and Bolts not provided.



Example installation of
SLD-XM-0400

Example installation of
SLD-HM-XXXX/SLD-XM-0800



Slot and Hole pattern for bracket orientation. Bolt pattern allows for an axis of rotation for the light fixture.

CAUTION: When adjusting the orientation and position of the [Luminaire] along the [track], do not allow the [Luminaire] to slide freely along the track. Support it against any unwanted dynamic motion, either by safety cable or by physically bracing/holding the [Luminaire] during all steps of the installation. Use proper fall protection when installing at pole height. Attach an appropriate safety cable on the [luminaire] when adjusting/installing at pole height.

Support the [Luminaire] properly—safely securing the [Luminaire] as determined by the contractor/technician.

Adjust the orientation of the bracket against the surface of the installed surface, ensuring that the fixture is properly supported during installation. Position the bracket on the surface according to the slot pattern on the bracket.

For more information, refer to [1.2 Setting up the Luminaire with the Supplied Bracket].

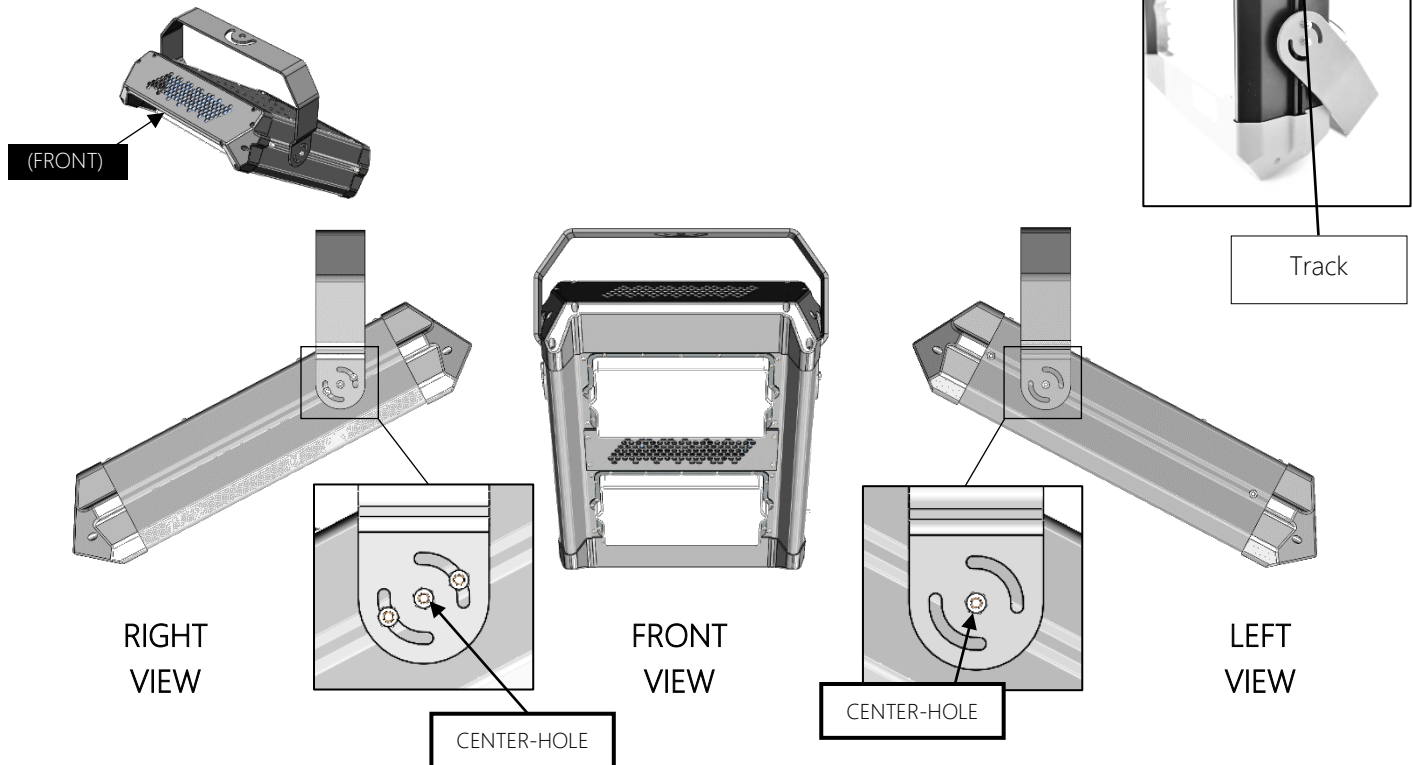
Use appropriate equipment to ensure the proper angular positions are met. Re-inspect all bolts and fasteners that they are properly torqued to finish installation/adjustment procedure.

HIGH MAST LED Lighting System

1.0 Standard Installation
(Order Code: SF)

1.2 Setting up the Luminaire with the Supplied Bracket

The light fixture is assembled with 6 pieces of ¼" Hex Bolts/Nuts, 3 on each side and positioned in a track system built into the sides of the light fixture. Upon final installation, only 4 hex bolts will be used to secure the fixture. Their configurations are as shown below:



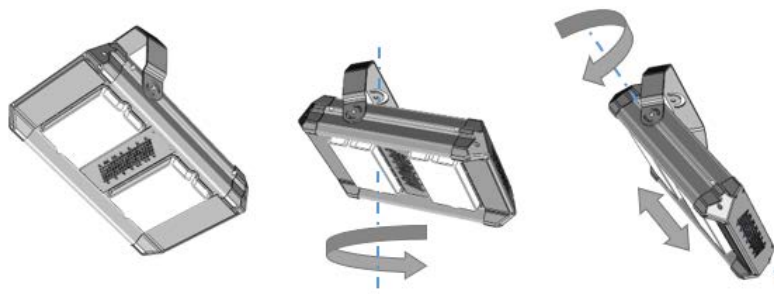
With the [Luminaire] hanging from a surface and pointing in the forward direction with respect to the bracket,

- **THREE bolts/nuts** shall secure the **RIGHT**
- **SINGLE bolt/nut** shall secure the **LEFT**

The **bolt and nut** shall always be secured in the center-hole of the bracket on **BOTH** sides.

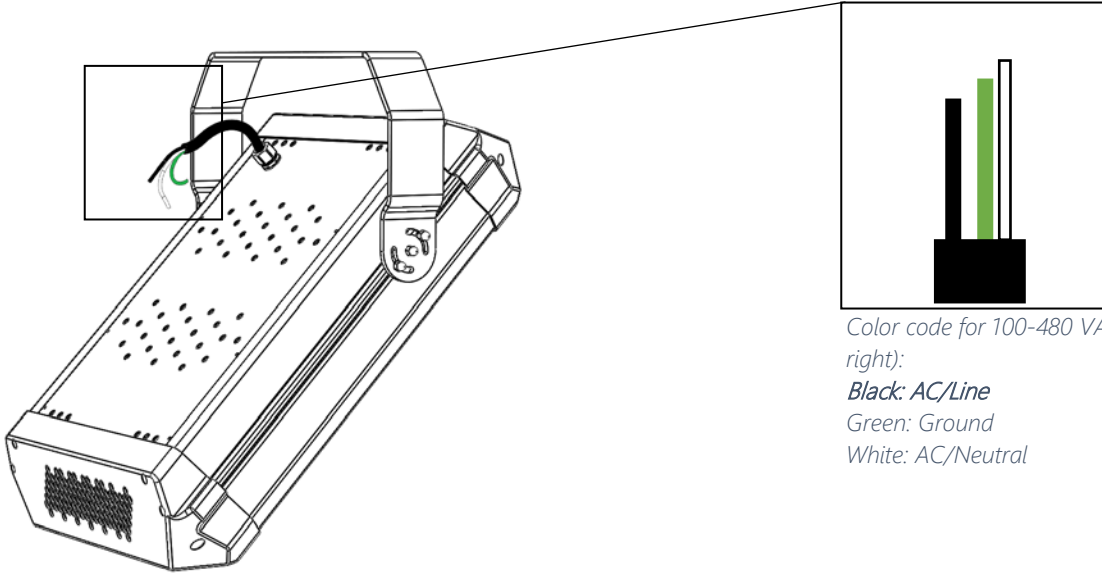
All manufacturer-supplied hex nut must either be a **0.25in-20 Serrated Flange Nut** or **0.25in-20 Hex Nut** with a **0.25in External Tooth Lock Washer**.

Use appropriate equipment to ensure the proper angular positions are met. Re-inspect all bolts and fasteners that they are properly torqued to finish installation/adjustment procedure.



HIGH MAST LED Lighting System

2.0 Electrical Installation



Color code for 100-480 VAC (from left to right):
Black: AC/Line
Green: Ground
White: AC/Neutral

The depiction above references the color coding for all applicable fixtures mentioned in this document.

Verify electrical codes with your electrical contractor.



The Solution for Effective LED Lighting

Visit us at
www.lumingen.com

Or call us at 1.604.371.4112

Specifications and dimensions are subject to change without notice.

