



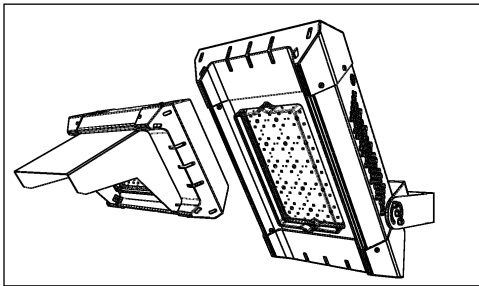
Installation & Maintenance Manual

SLD-PK Area Flood LED Lighting

IMPORTANT SAFETY INSTRUCTIONS *Mesures de Sécurité à Respecter*

This product must be installed in accordance with the applicable installation code by a person familiar with the construction and operation of the product and the hazards involved.

Ce produit doit être installé selon le code d'installation pertinent, par une personne qui connaît bien le produit et son fonctionnement ainsi que les risques inhérents.



Brief Introduction

Ultra-versatile high output lighting luminaire to be installed via Suspension, Surface/Wall, Pole, or Pendant Stem.

LED Luminaire—Certified to Canada/US Standards
CSA C22.2 No. 250.0-18
UL1598, 4th Edition

Suitable for wet locations. *Convient aux emplacements mouillés.*

Keep protective barrier in place. *Ne pas enlever l'écran protecteur.*

Mount this luminaire using only the mounting bracket supplied by the manufacturer or similar. *Mount ce luminaire utilisant uniquement le support de montage fourni par le fabricant ou similaire.*

Twist-on wire connectors are not re-usable. Replace only with un-used weatherproof twist-on wire connectors. *Remplacer uniquement avec de nouveaux intempéries twist-on connecteurs de fils.*

Min 90°C supply conductors. *Les fils d'alimentation doivent convenir pour 90°C.*

Caution—risk of shock. *Attention—risque de choc.*

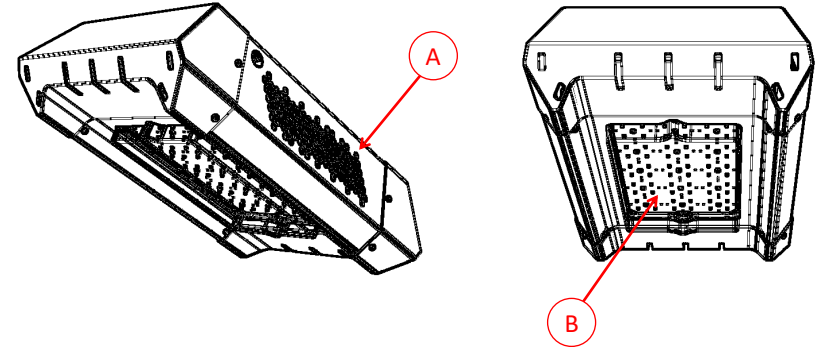
Remove luminaire for maintenance. *Enlevé luminaire pour l'entretien.*

Always keep protective metal plate and screws in place. Remove only when necessary. *Garder toujours la plaque de protection en métal et les vis en place. Retirez uniquement si nécessaire.*

Not for use in dwellings. *Ne pas utiliser dans les logements.*

Basic Information






Your location



Holes (see point A) on the side of the housing allow for ventilation of heat from the housing. Do not mount fixture where this ventilation may be obstructed.

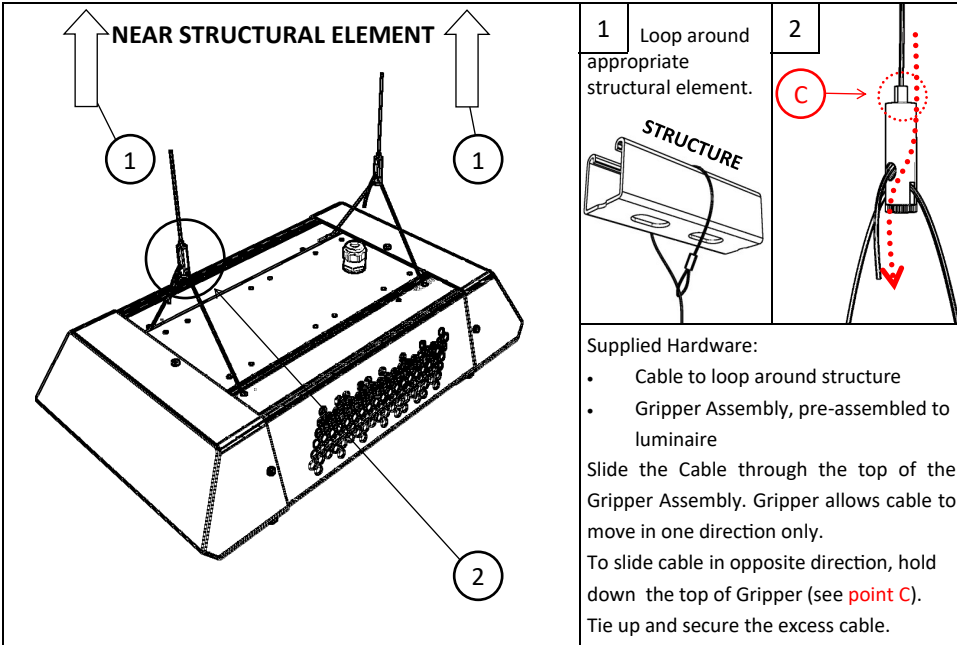
Lens cover (see point B) protects sensitive LED components from water damage and is rated for IP67 applications. Do not remove lens cover, as this will compromise the water protection of the fixture.

Wiring Instructions

| | | |
|---|---|--------------------------------------|
| Wiring from LED Driver to AC Supply, or LED Driver Terminal Block Colouring |  | AC/Line Supply Connection (Black) |
| |  | AC/Neutral Connection (White) |
| |  | Earth Ground Connection (Green) |
| <hr/> | | |
| Wiring for 0-10V Dimming, from Separate Cord |  | Dim + Connection (Violet/as Labeled) |
| |  | Dim - Connection (Gray/as Labeled) |



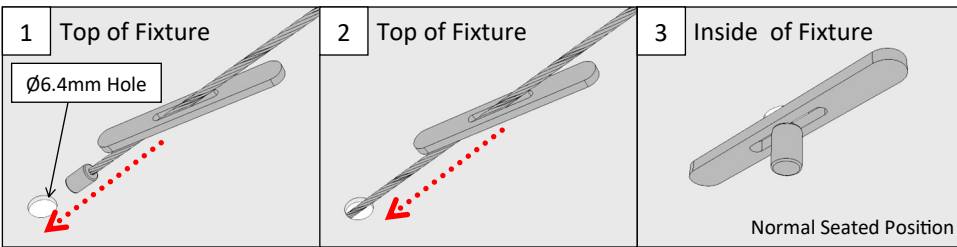
Suspension Kit Installation



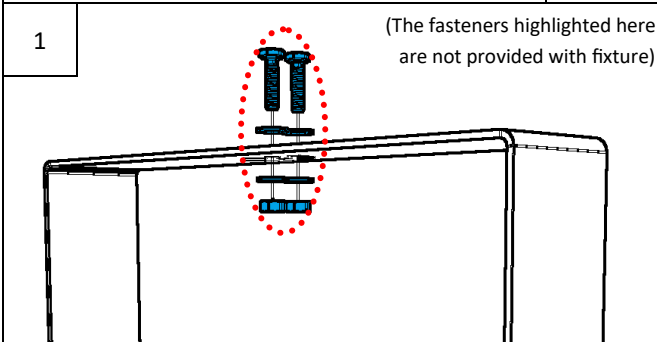
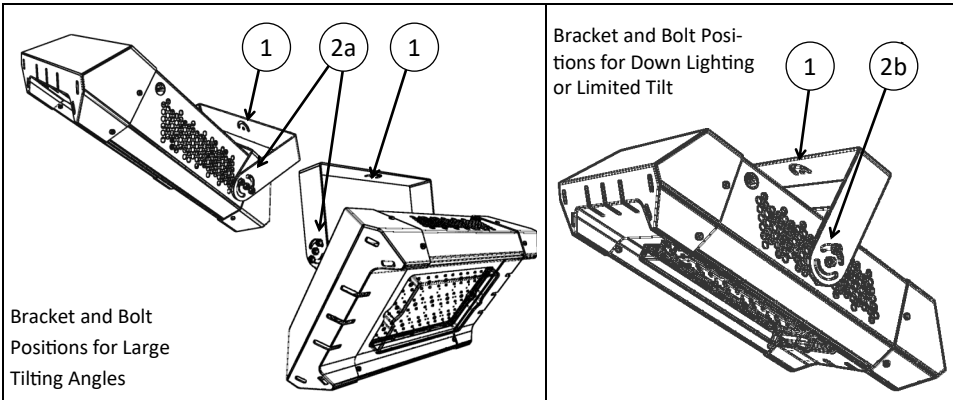
Part of the suspension kit is assembled into the luminaire. However, if for some reason the suspension kit not completely assembled into the fixture. Follow the following procedure to reattach the cable into the luminaire.

Please, do not disassemble the cable gripper assembly. Critical components may dislodge from their normal position and may cause the gripper assembly to be faulty.

For all other issues regarding installation of the suspension kit, please contact Lumingen Technologies.

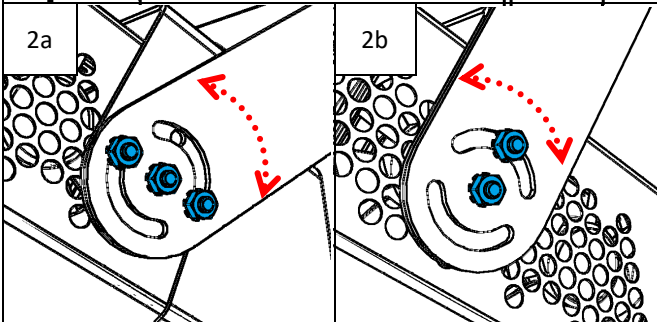


Wall/Ceiling/Surface Mounting Installation

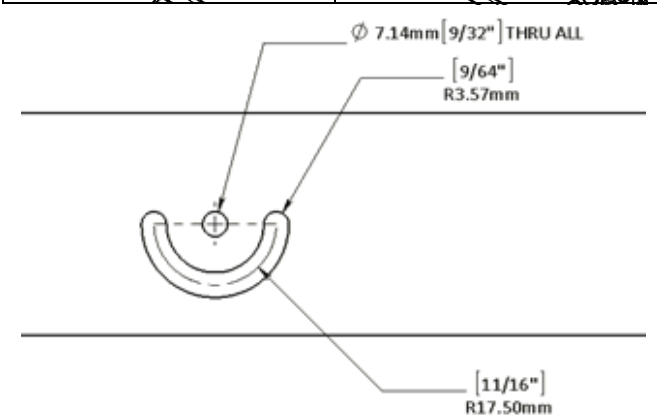


Fixture may be oriented in various ways. Contact Lumingen for alternative bracket mounting options.

Step 1. Secure bracket to mounting surface by the supplied bolt pattern on the bracket either by bolting to surface or by threaded inserts. **Bolts and related hardware for mounting bracket to surface are NOT provided with fixture.**



Step 2a/2b. Adjust the orientation of the fixture. Re-tighten depicted bolts on both sides of the fixture. Bolts depicted in **step 2** are supplied with fixture.

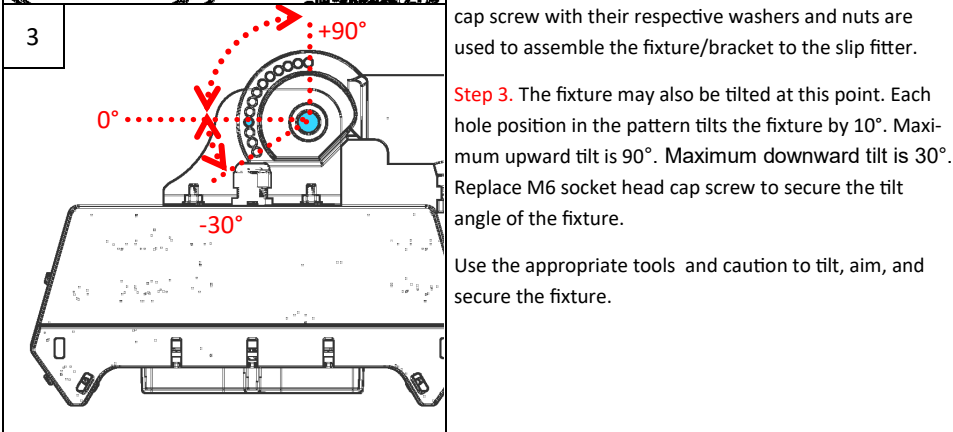
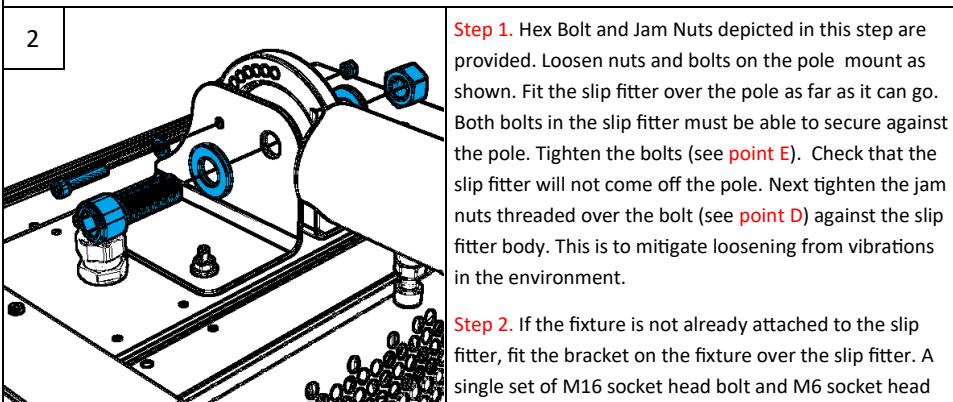
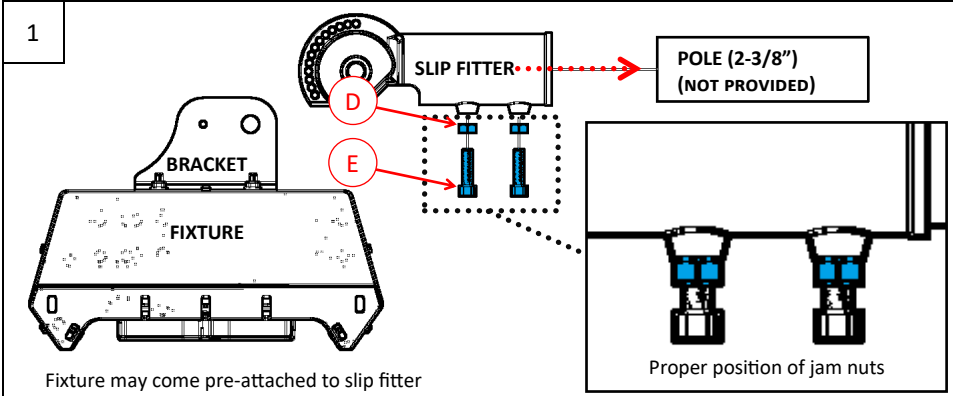
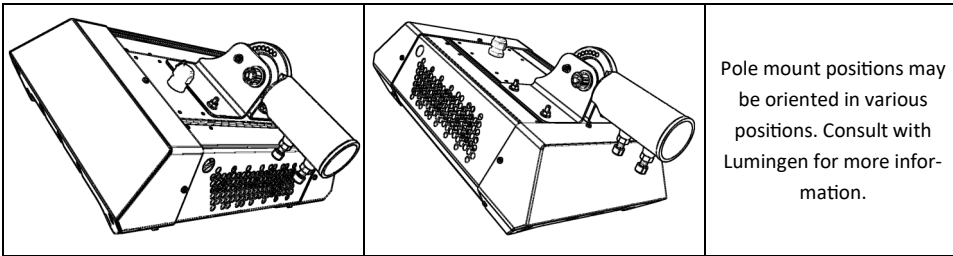


Slot pattern for mounting to a surface with the yolk mounted bracket.

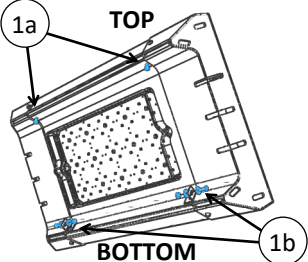
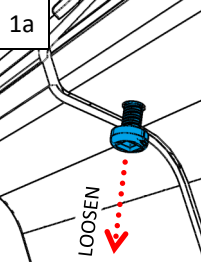
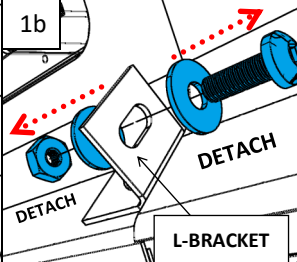
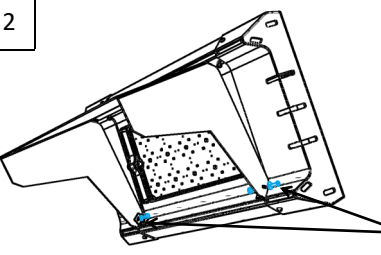
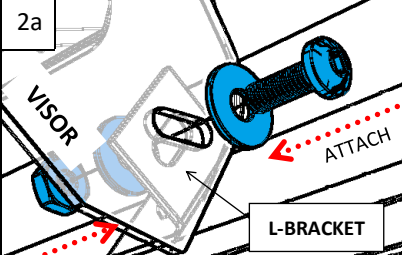
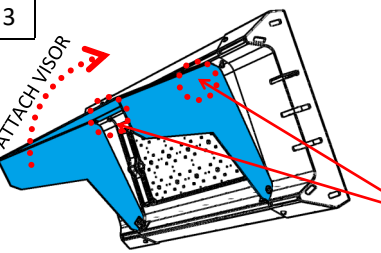
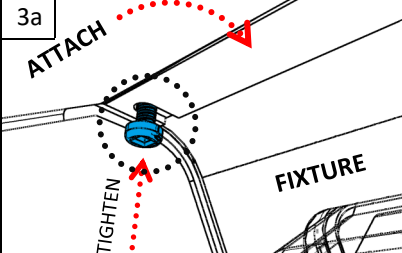
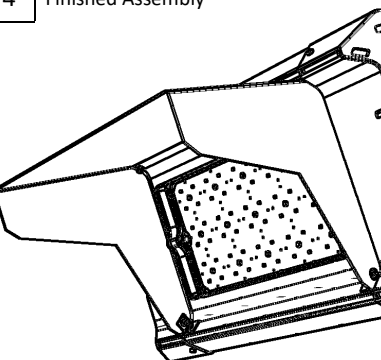
Bolt pattern is positioned center in the bracket.

For alternative bolt patterns, please contact Lumingen Technologies.

Pole Mount Installation



Cut-off Visor Installation

| | |
|---|---|
| <p>1</p>  | <p>1a</p>  <p>1b</p>  |
| <p>2</p>  | <p>2a</p>  |
| <p>3</p>  | <p>3a</p>  |
| <p>4 Finished Assembly</p>  <div data-bbox="73 1421 567 1550" style="border: 1px solid black; padding: 5px;"> <p>Please note: Cut-off visor orientation is pre-defined and is only applicable with certain installation configurations. Please contact Lumingen for more information.</p> </div> | <p>Step 1. Locate the areas where the cut-off visor will be attached.</p> <p>Step 1a. Loosen screws (2x screws) at the top. Removal of screws are not necessary.</p> <p>Step 1b. Detach screw and nut (2x screw/nut sets) from L-bracket at the bottom.</p> <p>Step 2/2a. Position cutoff visor with the L-bracket. Slot patterns on parts should overlap but it is not necessary to align the slots. L-brackets will be positioned on the inside of the cut-off visor. Assemble the screw/washer/nut sets as shown (on both sides).</p> <p>Step 3/3a. Align top of visor so that the top of the visor fit over their respective screws. Tighten screws on both sides</p> <p>Step 4. Re-attach/Tighten/Re-tighten all screws handled in the cut-off visor assembly phase. Verify visor is properly secure.</p> |

Square Post Mount Installation

