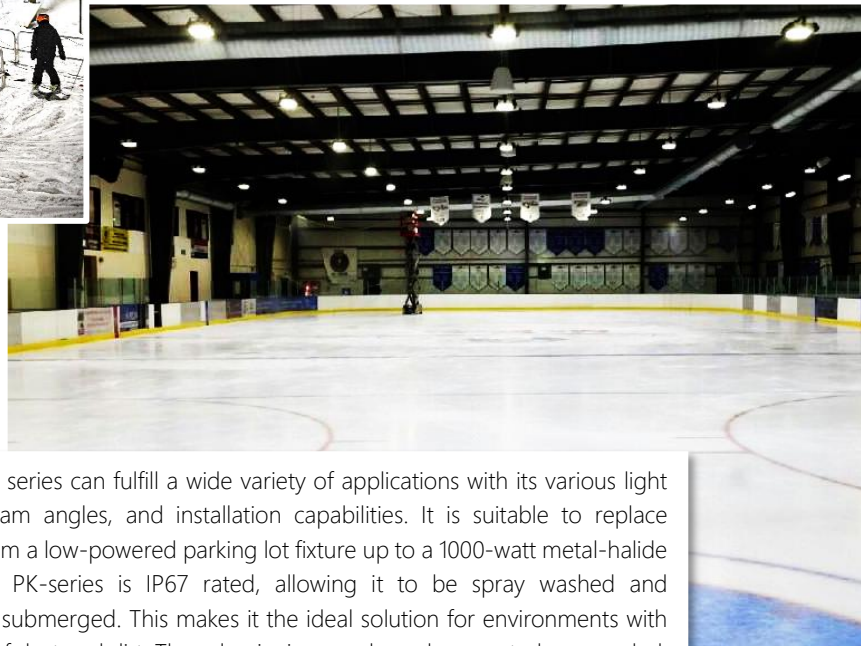




# HELOS Area Light Series

## LED Area/Flood Luminaire



The SLD-PK series can fulfill a wide variety of applications with its various light outputs, beam angles, and installation capabilities. It is suitable to replace anything from a low-powered parking lot fixture up to a 1000-watt metal-halide fixture. The PK-series is IP67 rated, allowing it to be spray washed and temporarily submerged. This makes it the ideal solution for environments with high levels of dust and dirt. These luminaires can be pole mounted, suspended, and surface mounted. The high-quality polycarbonate lens will also withstand exposure to harsh chemicals, making it an excellent solution for mounting in corrosive environments.

Applications:

- Manufacturing
- Food Processing
- Low/High Mast Lighting
- Recreation Facilities
- Parking Lot/Flood Light
- Roadway

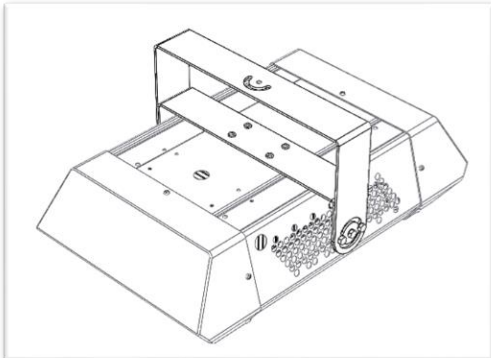


*Lumingen Technologies, Ltd.*

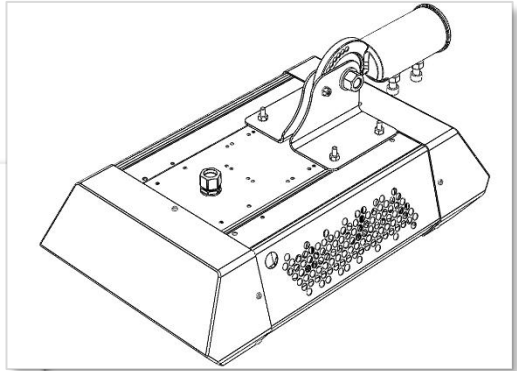
Specs subject to change without notice. October 19, 2021

# HELOS Area Light Series

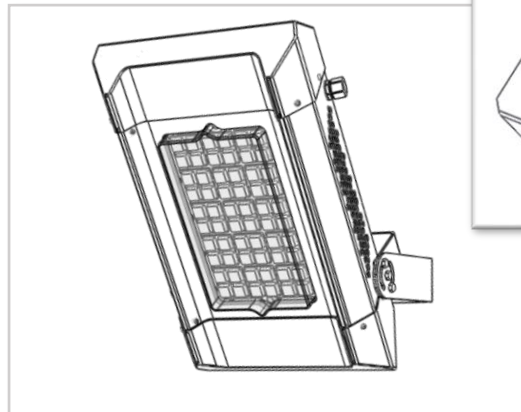
- LED performance >90% initial output after 416,000 hours of operating time
- System power ratings ranges from 30 Watts to 268 Watts
- Customizable Optics (10°, 25°, 66°, etc.)
- Application Diversity



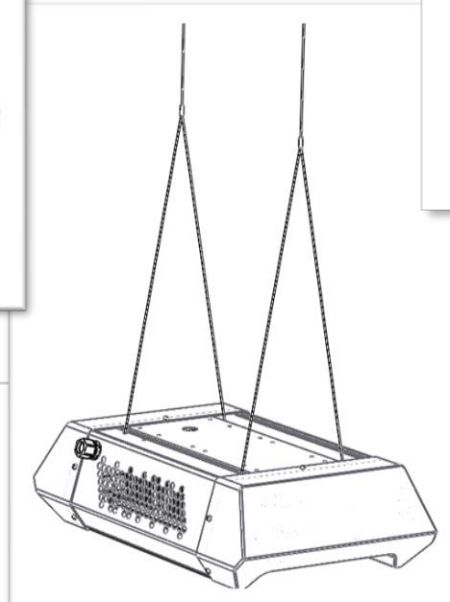
*Ceiling Install (Code: CL)*



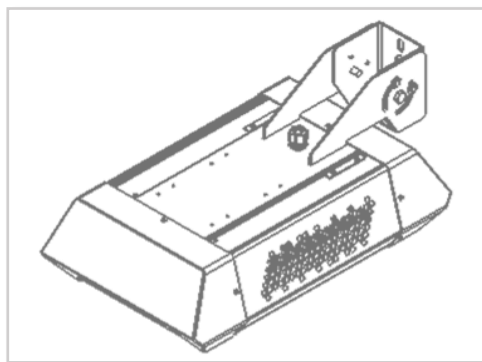
*Post Installation (Code: PL)*



*Wall Installation (Code: WL)*



*Suspension (Code: SP)*



*Shoe Box Install (Code: SB)*



# HELOS Area Light Series

## SLD-PK-XXXX Specifications

**Listing:** CSA US-Canada Certified - Suitable for Wet/Damp Locations. IP67 water and dust protection. DLC Standard QPL. e.Catalog Listed.

**LED:** Industry-leading Cree high-density LEDs using a ceramic base, which yields superior optical traits (>99% reflectivity) and high light intensity, superior heat dissipation, high temperature reliability, and low sensitivity to moisture.

**Optics:** Clear impact-resistant PC lens. Surface-mounted LED optics for precise light distribution with minimal glare and high efficiency.

Optional Beam Angles: 10°, 25°, 60°, 90°, 120°, 131°

Optional Beam Types: Type 2, Type 3

**Available CRI:** 70, 80, 90

**Colour Temperature (CCT):** 2700-6500K

**LM80 Projected 90% LED chip lumen maintenance** >416,000 hours

**LM80 Projected 70% LED chip lumen maintenance** >500,000 hours

**Input Voltage:** 120-277/347/480 VAC, 50/60 Hz

**Operating Temperature:** -40°C to 50°C

**Optional Feature:** 0/1-10V dimming, integrated photocell/receptacle, integrated motion sensor, surge protection, wireless control system, housing colour.

**Warranty:** 5 years

**Construction:** High-quality cold-rolled sheet steel with coloured powder-coat finish for corrosion protection and cosmetics. Extruded aluminum heat sink core with IP67 rating. ABS end caps with UL94-V0 minimum rating. Bracket/slip fitter assembly for installation on surfaces or poles.

**Standard Dimensions:** 55 cm × 34 cm × 16 cm [22 in × 13 in × 6 in]

**Standard Weight:** 7.3 kg - 8.5 kg (16 lb. - 19 lb.)

**Installation:** Supplied bracket for Wall, Ceiling, Round Post, Shoebox and Suspension.

Model No.	Delivered Light (lm)	Wattage (W)	Efficiency (lm/W)
SLD-PK-0030	3,938	33	121
SLD-PK-0070	8,467	63	135
SLD-PK-0100	13,000	97	134
SLD-PK-0160	15,060	129	117
SLD-PK-0240	21,215	184	116
SLD-PK-0300	31,090	268	116

## Ordering Code

LAMP TYPE	SERIES CODE	POWER RATING	AC INPUT VOLTAGE	CCT	CRI	OPTICS* (degrees)	INSTALLATION METHOD	LENS	PAINT COLOR	OPTIONS*
SLD	PK	0160	277	5K0	70	060	SF	CL	DG	M-P-D
SLD	PK (Area Light)	0030 (33W) 0070 (63W) 0100 (97W) 0160 (129W) 0240 (184W) 0300 (270W)	277 (120~277V) 347 (347V) 480 (480V)	3 K 0 (3000K) 4 K 0 (4000K) 5 K 0 (5000K)	7 0 8 0 9 0	0 1 0 (10°) 0 3 0 (25°) 0 6 0 (66°) 0 9 0 (90°) 1 2 0 (120°) 1 3 0 (131°) 0 T 2 (Type 2) 0 T 3 (Type 3)	S P (Suspension) C L (Ceiling) W L (Wall) S B (Shoebox) P L (Round Post)	C L (Clear) D G (Dark Grey) W T (White) O T (Other)	M (Motion Sensor) P (Photocell) D (0/1-10V Dimming) C (Wireless Control) S (Surge Protection) X (None)	

\*NOTES:

**OPTICS:**

Glare-reduction for beam angles of 131° optics only

**ELECTRICAL SURGE:**

All LED fixtures are susceptible to voltage spikes. Surge protection is highly recommended for exterior, industrial, and manufacturing applications

